

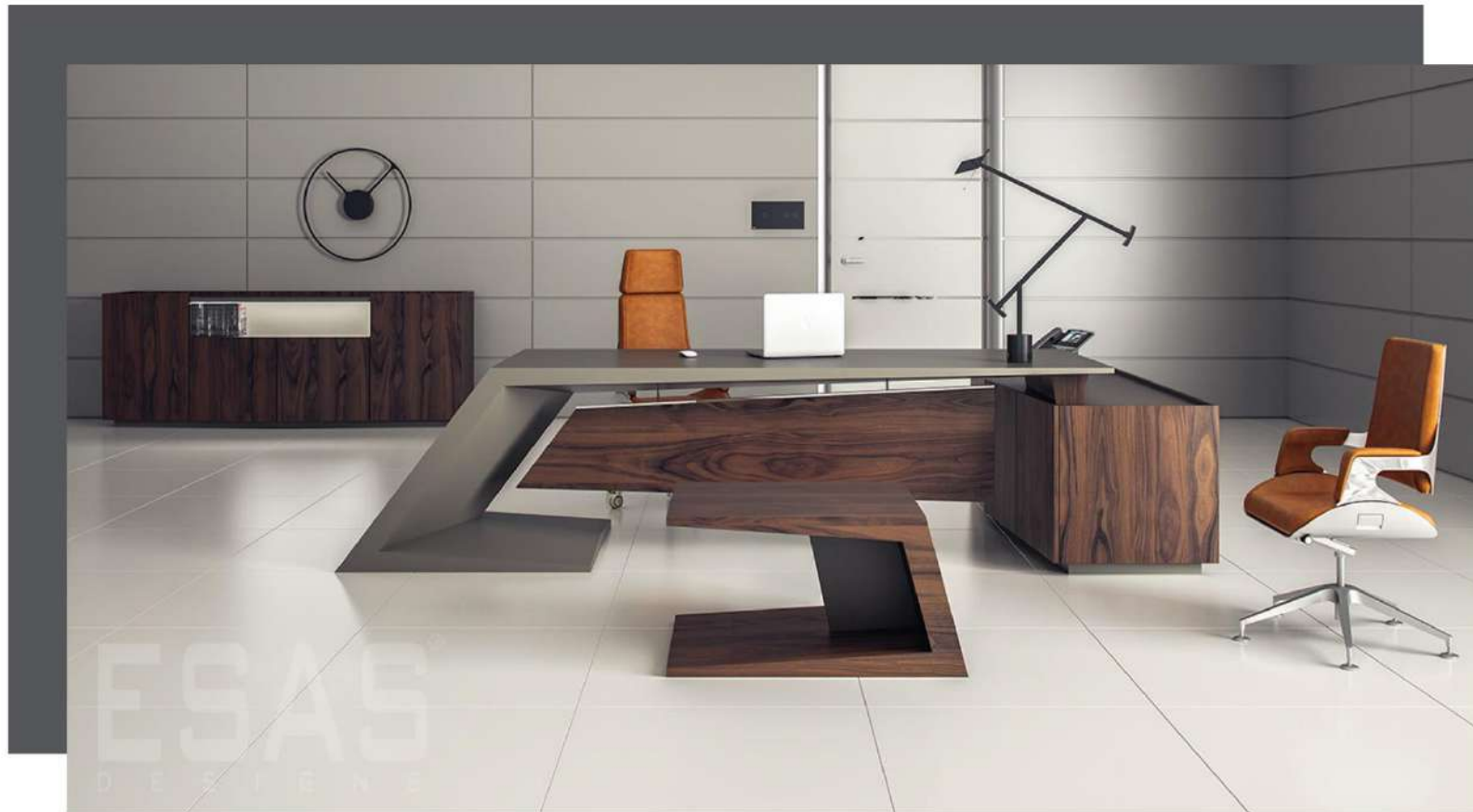


VIP

GROUPS



ORION



Representation of equilibrium with sharp edges. Special walnut veneer coated central electronic locking system. leather coated bases. led lights application in drawers. New led lights in cabinets. Optional automatic or manual desktop socket system.



AXEL



Dark Baobab veneer coated . central locking system. Drawers with double extended slides. leather coated bases. New led lights application in drawers. New led lights in cabinets. New optional automatic or manual desktop socket system. New optional automatic monitor lift.



OPUS



EXEC



EXEC



BRIDGE



CRAFT



The newest model of the ESAS Exclusive Office Desk Set Series has the masterful design and excellent craftsmanship. CRAFT Exclusive Office Desk Set is very functional with its standard features such as special organizer drawer, safe box and trash can and it can be completely customized to your needs with the addition of a sound system, data unit, even hidden partitions.

The led system used on the desk front panel and on the cabinet complete the grandeur and elegance of the CRAFT Exclusive Office Desk Set.



GAUDI



The elegant minimal design and fine hand craftsmanship of the GAUDI Exclusive Office Desk Set is amazing. Cleverly designed secret compartments and the safe box adds a spectacular difference to this unique design.

GAUDI Exclusive Office Desk Set will add a natural and aesthetic look to your office with its oval form. It is presented with the lacquer color options suitable with the American Walnut Veneer finishing.



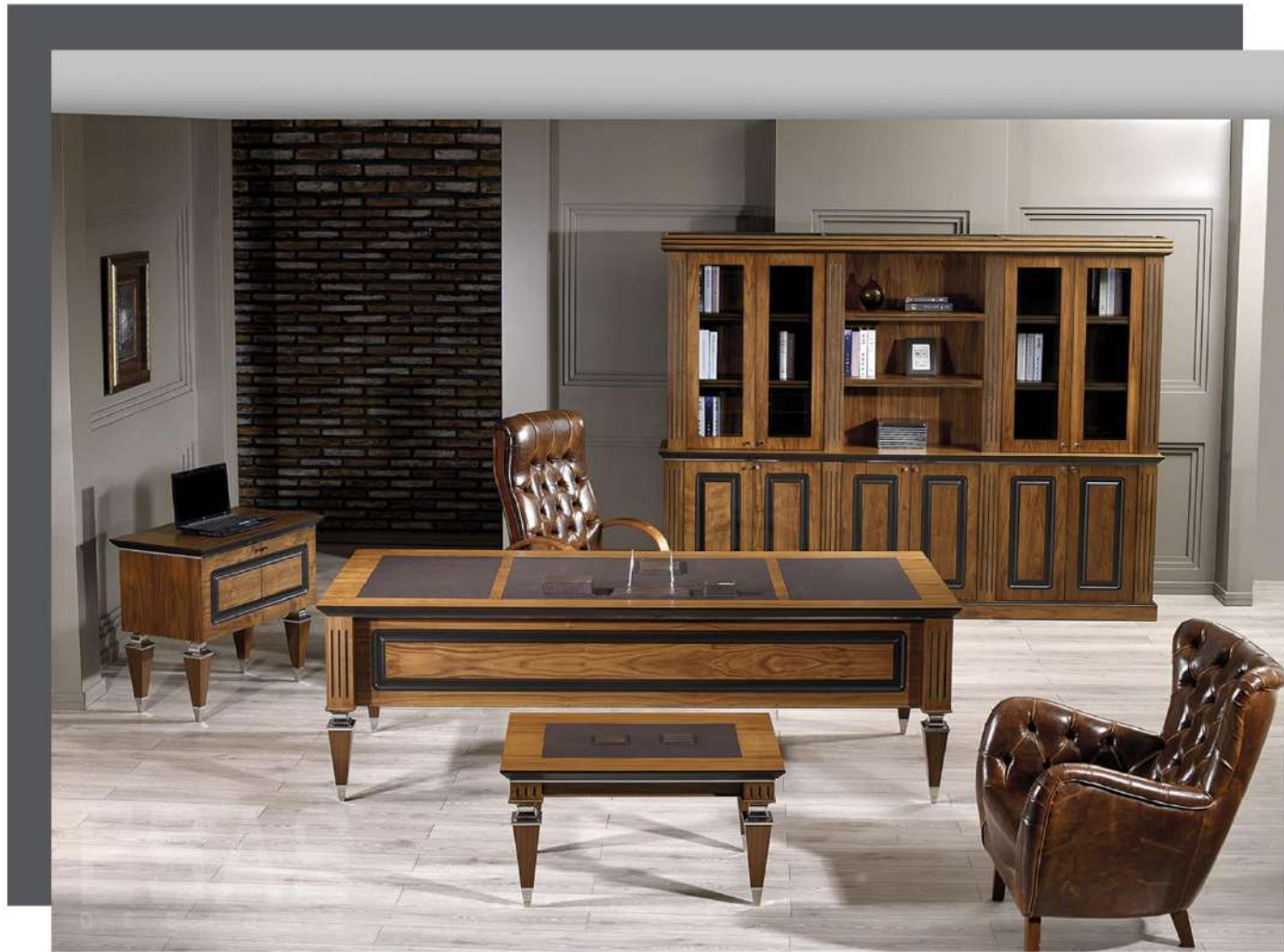
LOFT



Combining the natural texture of the wood with quilted leather sections and chrome metal streaks, the LOFT Exclusive Office Desk Set proves how skillfully different materials can be combined. It is also possible to add a sound system and data unit to the LOFT Exclusive Office Desk Set, which has the standard of functional desk pad and hidden safe box. You can create your own LOFT Exclusive Office Desk Set style according to your needs and style with options such as high cabinet, low cabinet, wooden front panel and different leather color options.



KLAS



This semi-classic avant-garde model of Vision Office Furniture is the choice of managers who want a classic touch in their office. KLAS Exclusive Office Desk Set's chrome-plated classic line legs and the leather surfaces used on the table surface adds elegance and quality to your working space. Apart from American walnut veneer, KLAS Exclusive Desk Set is available in black, anthracite and white lacquered colors and offers different cabinet options to suit your office style and needs

ORIENT



Are you a manager who often makes small meetings in the fast pace of working life? If your answer is "yes", ORIENT Exclusive Office Desk Set is the desk set that you need. Combining work and meeting table in one product, you can have meetings with your staff for up to three person. ORIENT Exclusive Office Desk Set which will add a unique atmosphere to your office with its oval lines and stylish chrome pedestal design, also increases your working efficiency. Functional desk pad and safe box are standard in all ORIENT Exclusive Desk Sets.





**EXECUTIVE
GROUPS**



Rio



RIO Executive Desk
Melamine and leather

Rio creates a rich ambiance with its melamine and leather options. And provides a spacious and tidy desktop thanks to the power and cable connections located in the storage unit fixed on the side of the desk.



FORMA



FORMA Executive Desk
Structural balance

Provides the desired atmosphere and sense in the room with two options: melamine and metal coating. And these options make Forma a product that easily fits in executive offices as well as middle managers'.

All you have to do is decide.



LATO



LATO Executive Desk
Functional and aesthetic.

Lato is designed for modern and stylish offices that increase concentration with a refined combination of functionality and aesthetics

NORM



NORM Executive Desk
Simple, elegant and rich.

As a timeless product independent from developing fashions and trends, Norm appeals to executives from all ages and easily adapts to the other decorative elements used in spaces.

With the simplicity incorporated to its design, Norm offers an unpretentious but strong richness.

ENES



TRIO



ELA



BOLD





**STAFF & WORKSTATION
GROUPS**



Cargo Office Desk



CARGO Office Desk
Easy and simple use

Designed for busy people who work whose jobs require high productivity,
Cargo provides the necessary simplicity and ease of use in the open and crowded workplaces.



M-LINK MEETING WORK TABLE



M-LINK **A** Executive Desk
Stylish and Sophisticated.

It adds value to the environment, while offering comfort and elegance together with its specially designed concept to meet the needs of the new generation of managers

M-LINK LONG SHELF



M-LINK **B** Executive Desk
Stylish and Sophisticated.

It adds value to the environment, while offering comfort and elegance together with its specially designed concept to meet the needs of the new generation of managers.

M-LINK SHORT SHELF



M-LINK C Executive Desk
Stylish and Sophisticated.

It adds value to the environment, while offering comfort and elegance together with its specially designed concept to meet the needs of the new generation of managers.

M-LINK D



LINK D Executive Desk
Link offers user-friendly solutions for the changing needs of managers.

Link Office Desk



LINK Office Desk
Find all the solutions you expect from an office furniture.

Link Office Systems gives an opportunity to create transformable spaces and put your creativity in use with its modular structure. While it serves to the needs of spaces dedicated to either executives, operations or meetings, it also provides integrity among them. The upholstered separator panels, which are available as fixed or movable, helps noise insulation and elevates the aesthetic atmosphere of the room. And with different accessory options, Link desktops provide a clean and organized work surface.

Lato Office Desk



LATO Office Desk
Functional and aesthetic

Lato's design focuses on increasing the concentration in office space, with combining the elements of functionality and aesthetics. The angled and sharp curved metal legs strongly carry the desk, while display a visual lightness. The separator panels on the other hand, serve as an element to increase the productivity of the person working.

Bold Office Desk



Park Office Desk



Providing an isolated working place with the panels around it, the Park group meets many needs with individual placement options for individual work, teamwork or short and quiet breaks





**MEETING TABLE
GROUPS**



HEKSA Meeting Table





Abel Meeting Table



Diva Meeting Table



klas Meeting Table



Karizma Meeting Table



Orient Meeting Table



Safir Meeting Table



Pablo Meeting Table



PABLO Meeting Table
The special leg structure of Pablo gives the attendee a comfortable space and ease of sitting even during long and crowded meetings.

Jet Meeting Table



JET Meeting Table
Jet combines the leanest state of a meeting table with functionality.

The metal frame of the table gives a sleek touch to the design.
And with options ranging from melamine to natural coating, you can give your table the character you want.

Norm Meeting Table



NORM Meeting Table
Norm meeting table, a member of the Norm Executive Family, provides a great harmony with the solid-metal legs and the metal frame that surrounds the desktop.

The top comes with different surface materials, according to the liking of the executive.



Link Meeting Table



LINK Meeting Table
More productive meetings always open to communication.

Link offers various features facilitating communication and productivity in addition to its simple design. With its hidden cable connection points, presentations are made a lot easier eliminating cable mess.



Lato Meeting Table



LATO Meeting Table
With a design sense that combines functionality and aesthetics, Lato Meeting Table shines out as a member of the Lato multiple systems family.



Demo Meeting Table



CARGO Meeting Table
Just like the rest of the Cargo Family, Cargo Meeting Table is also very simple and easy to use.



CABINET

CABINET Storage System
Storage unit and separator panel at the same time.

Either in spaces dedicated to executives, managers or operation, Zivella's storage systems provide function and style at the same time. With the structural features that complete each other, the storage units serve as flawless separators in the office.



Caisson



CAISSONS Storage System



Console



INDEX

Totem	6	Nord Chair	66
Ada	8	May	68
Kuz	10	Maya	70
Kuz-S	12	Orbit	72
Manta	14	Sar	76
Tur	16	Best	78
Nord	18	Ese	84
Joy	20	Bari	88
Lisa	22	Toy	90
Mod	24	Ika Stool	92
Veni & Veni-S	26	Roy Stool & Chair	94
Neo	28	Norm	98
Ren	30	Plan	100
Plaza	32	Forma	102
Park	34	Rio	104
Poz	36	M - Link	106
Yaka	38	Link	108
Koza	40	Delta	114
Mola	42	Delta - K	116
Pay	44	Mira	118
Thames	46	Carot	120
Tone	48	Fera	122
Tone-S	50	Tagix	124
Salt	52	Eta	126
Zen	54		
Beam Bank	56		
Bari Bench	58		
Mody	64		

COMFORT IS THE CONSTANT TREND

The chair you sit on to work at the office, a pouf you spot for a flash face-to-face or the unit you rest at the lobby before you start your meeting... What is common about these in Esas is comfort. And of course, the functionality and sleek design fine-tuned according to your needs.

SOFAS & ARMCHAIRS



Totem turns the lean approach into a design icon.



It is designed to bring movement and vitality to the space it is placed in, with its extraordinary look. Its captivating color choices make this design ready to take place in offices with character and stylish.

Ada is a proud member of
Retro design movement.



ADA

Design by Alp Nuhoğlu, 2016



Its meticulously designed quilted details and solid wood legs gracefully carries the 60s style to our day. In executive offices, common areas or private houses, it draws attention in any space with its exclusive and colorful look.



KUZ

Design by Alp Nuhoğlu, 2016

Comfort designed with a grace and fineness rising from the harmony of solid wood and fabric.

Zivella created Kuz to add a touch of aesthetics with its lean lines to executive offices, lobby areas and private spaces.

Every space deserves elegance.



KUZ-S

Design by Alp Nuhoğlu, 2017



With its dimensions, Kuz - S is created to adapt diverse spaces easily. Its smooth design makes it a perfect choice for various uses like an elegant resting space in private residences or a cozy corner in waiting halls.



MANTA

Design by Setsu - Shinobu Ito, 2017



Genial, amiable and inviting.

Manta's exclusive design is gladly inviting you to a warm conversation. Born from the imagination of the world-famous designers, Setsu & Shinobu Ito, Manta represents the ease of communication with its comfortable and smooth form. It can be equipped with metal or wood legs according to your taste.



TUR

Design by Z Design Team, 2017



Tur is the support for your various needs in the office

Zivella Tur is created to be your biggest support during long meetings, with a high back.



NORD

Design by Alp Nuhoğlu, 2016

Attract all eyes
in the office!



Nord is the center of attention with its strong look and enhances the sense of style with its sleek design. With details thoroughly calculated, such as the wooden lines completing the back of the chair, Nord provides a rich visual aesthetic from any angle.



JOY

Design by Z Design Team, 2016



The feeling of belonging...

Joy is designed to give a positive and strong character to spaces and make communication easier with its solid look and elegance. Its natural curves and fluid design elements, Joy enhances the coziness of the room and feels like a home-like corner. It radiated the perfect integrity solid wood legs and with various pastel-toned color choices for the upholstery.

Make a strong impression.



LISA

Design by Z Design Team, 2016



With its modern and fine lines, and elegant wooden legs, Lisa is perfect for executive offices. And if you think the common spaces needs a classy touch, Lisa is what you need.

Having a confident and happy attitude, Mod is created to enhance the mood in the new generation offices.



MOD

Design by Alp Nuhoğlu, 2017



A center of attention with its cubic form and energetic design, Mod is available in various fabrics and colors, as well as wooden and metal leg options.

A special space.



VENI & VENI-S

Design by Z Design Team, 2018



Veni-S has an exclusive presence with its modern design. With its high body and armrests enfolding the person, it radiates a friendly and sincere air. Achieving perfect harmony with its metal legs, Veni-S is ideal for creating an exclusive corner in offices and waiting halls.



NEO

Design by Alp Nuhoğlu, 2017

Strong, bold, and cozy and hearty as well.

Neo perfectly fits into the new generation work spaces with its powerful design that is based on a minimalistic geometry. Neo is created to attract all the glazes wherever it is placed.





REN

Design by Alp Nuhoğlu, 2016

The gentle and perfect combination of metal and leather...



With its special design giving a deep sense of refinement and richness, Ren is ideal to meet the needs of comfort in executive offices furnished with elaboration.



Through leanness, Plaza is designed to provide comfort in any size.



It fits in any space with its timeless look, and gives functionality with its movable table attachment.



Concentrating has never been easier!



Available in high, low, single and double, Sofa is created with dynamism in order to provide a rich aesthetic along with its comfort. The high-back option designed specifically to create a small but private area that allows the user to concentrate even in crowded spaces.

A reliable retreat with a positive aura and character...



POZ

Design by Alp Nuhoğlu, 2016



The natural wooden back detail gives Poz a warm yet eye-catching visual touch. The sofa design which enables a closer communication also provides comfort with leather and fabric alternatives.

It is a conformist!



YAKA

Design by Alp Nuhoğlu, 2016



Standing out with its lean design, Yaka is created to be an office chair that adapts to its surroundings with its timeless line. Open for different combinations, Yaka's super power is being the most comfortable corner of the office or even a lobby.

Smooth, striking and innovative.



KOZA

Design by Alp Nuhoğlu, 2018

With its smooth yet powerful design, Koza is always the star of your space. Achieving to present simplicity with comfort with perfect integrity, Koza is created to radiate an innovative and modern air especially with its vibrant colors.

Mola is calm and coherent in a nut shell.



Its special design that enables various sitting arrangements possible makes Mola an essential part of open concept offices, which have to be flexible according to changing needs. It is extremely productive with its design allowing it to make as many special combinations as possible.

Single, double, triple or with even more seats
in offices or lobbies...



PAY

Design by Alp Nuhoğlu, 2016



The more Pay placed side by side, the more colorful it becomes. Pay has a modular, cheerful and functional design that can be combined infinitely and just according to your needs.

Thames is created to be a team player in any space.



THAMES

Design by Alp Nuhoğlu, 2017



With its unique and stylish modular design, it provides creative solutions in receptions and recreational areas.

A comfortable
and serene corner.



Radiating a cordial mood to the space with its stance and vivacity, Tuna is designed to create a comfortable corner in offices or waiting halls. Providing a sweet harmony especially with warm colors, Tuna can be used for different purposes with its armrest and separate puff .



TONE

Design by Alp Nuhoğlu, 2016



TONE-S

Design by Alp Nuhoğlu, 2017

Everything in harmony and integrity.



With extra modules such as the pouffe and coffee table, Tuna family becomes a winner especially for lobbies.

The convex and concave modules are ideal to create continuity in spaces. Giving the user freedom, Tuna stands out with its openness for creativity.



SALT

Design by Alp Nuhoğlu, 2016

Every detail in Salt has been designed with refinement.



It completes the space with its lean line through thin armrests and modern design. Available in single, double or corner options, Salt is ideal especially for small spaces.



ZEN

Design by Burak Koçak, 2017

A group to rest.



Zen is designed specifically create a real recreational area in the offices and lobbies, with its lean and integral design. With its five different sizes available, Zen brings a soft and calm touch to spaces.



BEAM BANK

Design by Oğuzhan Abdik, 2017

Differentiating is never that easy.



When the natural aura of solid wood is combined with modern design, the result is very striking and sympathetic. Beam Bank is ideal to transform any wall front into a design corner.



BARI BENCH

Design by Alp Nuhoğlu, 2018



Every detail in Bari Bench is designed to meet all the needs of the communication age.

The tiny charging unit, which is in harmony with the design of the bench makes life much easier.

The new generation
of modular design.

Colorful, dynamic and cheerful...

Bari Bench brings dynamism and energy to where it is placed. Even more cheerful with various color combinations, Bari Bench radiates positive energy with its joyful character.

Its modular structure and various color combination options gives room to creativity in spaces, while providing a high level of comfort, along with a cheerful and modern design.

Available also with a back support, Bari Bench offers an ergonomic sitting experience.



THE ANATOMY OF COMFORT

Esas knows how important health and comfort is, and how they are inseparable from each other. Each chair the company imagines and creates is a manifestation of this idea. Ergonomic features that are carefully considered with a people-oriented approach, upholstery and details that reflect our high quality standards are what you will find in Esas's office chairs and chairs.

CHAIRS

Mody is enhanced with a special cast to last long.



It provides an uninterrupted comfort with its specially designed back and armrests. Considering its compact design and minimal size, it is perfect for small lobbies.

Appealing to a refined sense of style.



NORD CHAIR

Design by Alp Nuhoğlu, 2017



Nord chair is a unique combination of metal, wood and fabric. Providing a freedom of movement with its wheeled legs, the ergonomically designed chair is ready to face the difficulties of a busy work life.



MAY

Design by Alp Nuhoğlu, 2018

Modern and upbeat.



With its vibrant and dynamic form, May is designed in line with the characteristics of today's new generation workspaces and offices. Its body providing a comfortable sitting experience, moving metal legs and convenient arm rests make it an ideal chair for long-term use. Furthermore, May stands out in an otherwise ordinary office environment especially with its lively fabric colors.

Some designs grace the space.



MAYA

Design by Alp Nuhoğlu, 2018



The harmonious association of fabric and wood is the most important characteristic of Maya. With its soft and round lines reflecting modern design approach, Maya is the best choice for the ones desiring to make a difference in space.



ORBIT

Design by Alp Nuhoğlu, 2018

Modern and elegant.



Orbit's character incorporates the design lines of next generation offices. Standing out with its round lines, comfortable sitting and simplicity, Orbit creates new forms through its different wheeled leg options.



ORBIT

Design by Alp Nuhoğlu, 2018



Lean and Comfortable

The circular form of the Orbit reception unit stands out with its comfortable sitting session, which can be arranged according to the location.





SAR

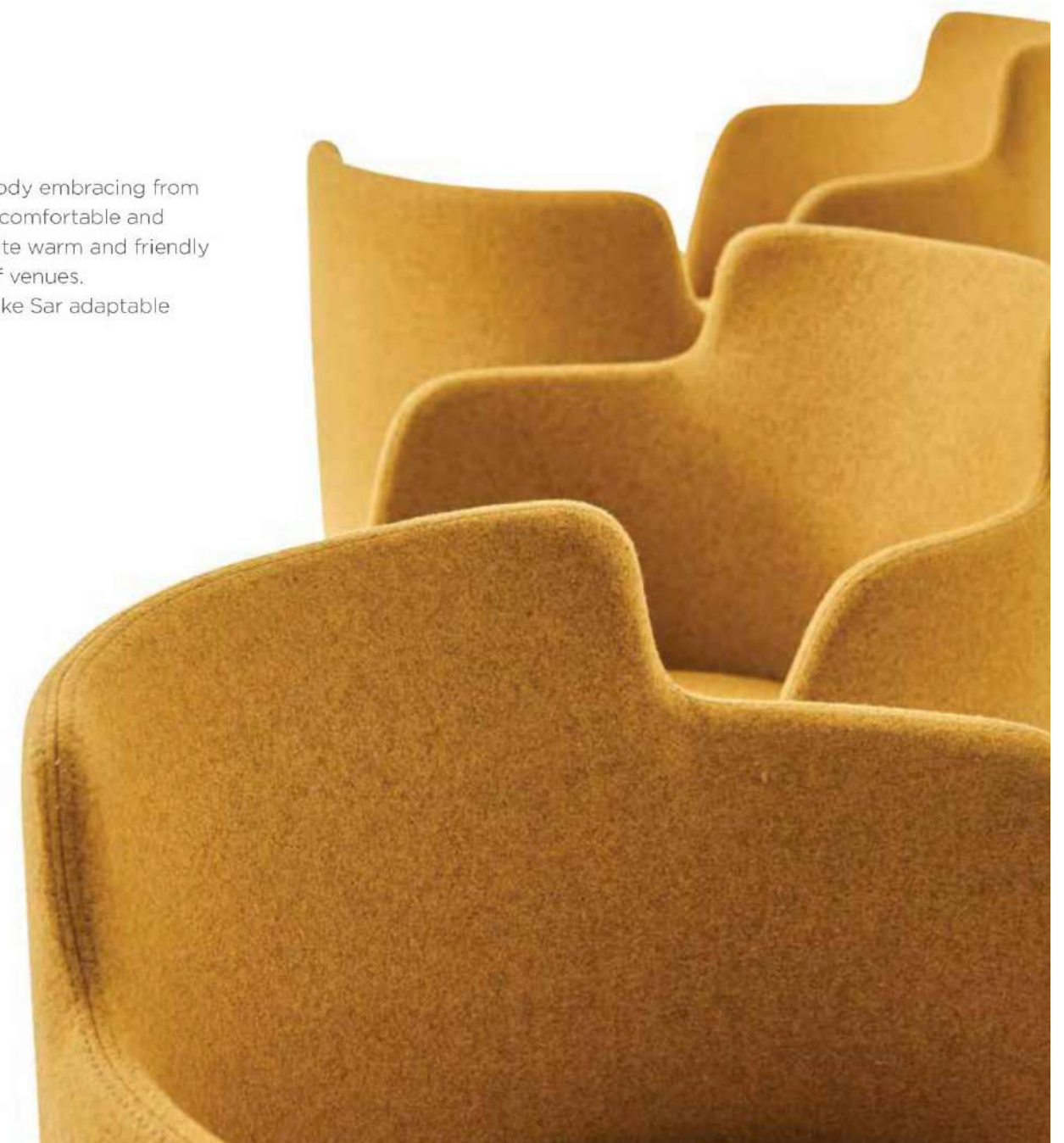
Design by Alp Nuhoğlu, 2018

Its character radiates coziness.



With its deep seating and body embracing from both sides, Sar is extremely comfortable and inviting. It is possible to create warm and friendly waiting spaces in all kinds of venues. Different leg alternatives make Sar adaptable to various utility purposes.

Curry Fabric
Wooden and Metal Legs





BEST

Design by Z Design Team, 2018



Best is the embodiment of the finest features that an office chair is expected to include. Provided with moving or fixed legs for different purposes, optional arm rests can also be added to this functional office chair. Giving a modern and harmonious feeling with its metal legs and fabric upholstery, Best adapts to every space perfectly with its ideal size.

Comfortable, simple and practical.





BEST

Design by Z Design Team, 2018



Simple and Convenient.



Designed for offices, hospitals, schools, terminals and new workplaces, the Best waiting unit is comfortable, simple and convenient.



ESE

Design by Z Design Team, 2017

Comfort is also included
in the design.



Ese Family is designed to completely support the body, and specifically to provide the ideal comfort even during long sitting requirements.

Comfort is
a part of design.

With colorful fabric surfaces
and metal body details, Ese office chairs
are great for any kind of new generation
working space.





BARI

Design by Alp Nuhoğlu, 2016



A new design movement!

Bari easily fits in any space with its movable nature. Its gracefully designed sitting surface is available both in fabric and leather. And it can be easily replaced in the office with leather handle and hidden wheels.



The source of joy for offices.



With its modern and extraordinary lines, Toy is ready to cheer up your office environment. Toy's aesthetic, simple and smiling design makes it the perfect object that lightens the mood in a busy work day.

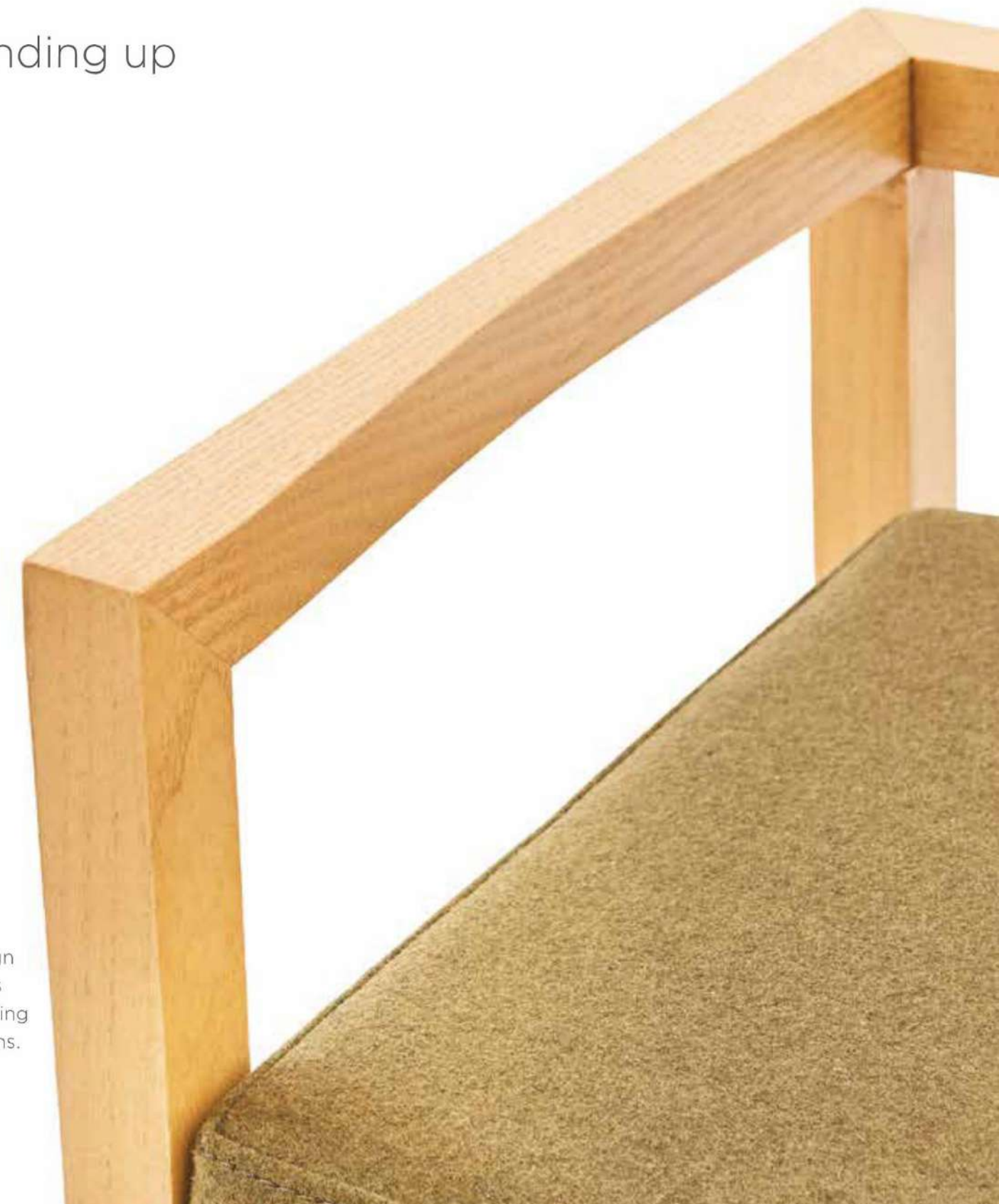


IKA STOOL

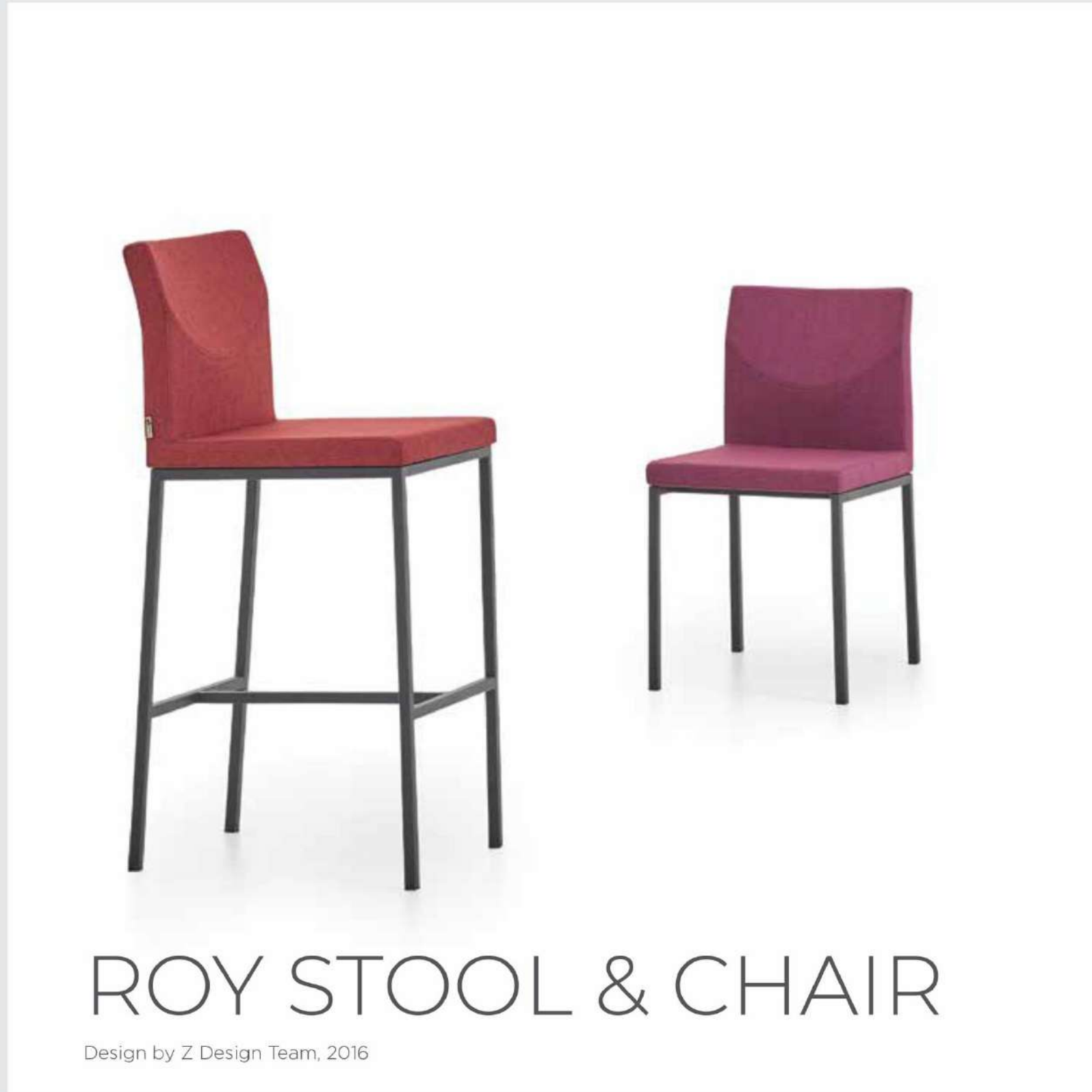
Design by Alp Nuhoğlu, 2017

New trend:
Working standing up

Ika is a symbol of the new trend rising globally. Differentiating with its design enabling a high sitting, Ika is the perfect choice for standing up meetings or conversations.



Ergonomy and comfort.



Roy's design is enhanced with a special molding on the sitting surface and back that provides an ergonomic comfort. And its thin metal legs carry it to a higher level with strength and elegance. With adjustable leg length, Roy is an ideal solution for both seminar halls and cafés, as well as tiny lobbies.

STYLISH AND FUNCTIONAL FURNITURE...

With Esas's solutions for executive offices, you can now create comfortable and beautiful customized spaces.

EXECUTIVE DESKS



NORM

Design by Z Design Team

Innovative elegance.



This inspiring timeless design adds style and elegance to the workspace. The clean lines and simple beauty enhance the charm and appeal of the range.

Available in a wide range of colours and fabrics, made by hand at the Istanbul manufacturing plant.



Easy communication
productivity and
spaciousness.



In an environment where an executive spends more time in than at home, has long hours of meetings during the day and overcome crisis, Plan functions exactly as expected, and more.

The round cabinet fixed to the table serves as a desk-side element with its large drawers and useful surface. Plan bookshelf can be used either as a separator or a storage space,

according to the needs and preferences. Plan represents the ease in communication through perfectly blending two distinct geometrical forms its design.



Everything is clear.



It is designed to reflect the characters of the managers who know what they want with their determined and clear stance. The nobility of wood is differentiated by its lean and strong lines.



Melamine and
leather.



Rio creates a rich ambiance with its melamine and leather options. And provides a spacious and tidy desktop thanks to the power and cable connections located in the storage unit fixed on the side of the desk.



Elegant and sophisticated.





The Link office system gives the opportunity to be creative in smaller working areas. With its strong modular structure, it allows you to have both space and privacy at the same time.



COMFORT IN YOUR OFFICE

Offering you a wide range of variety in all forms, fabrics and colours.

TASK CHAIRS



DELTA

Design by Z Design Team, 2017

Detailed craftsmanship.



This classic design offers, style and practicability in a wide range of fabrics and colours. Offering an ultra-comfortable sitting experience with its exclusivity designed body.



DELTA - K

Design by Z Design Team



Dignity and simplicity stand out in Delta - K's design character.



MIRA

Design by Z Design Team



The art of ergonomics.



Mira is specially designed for daily intensive use. It is produced to provide a holistic solution for office and all work areas with its different usage options which are provided with its robust or fixed legs.



CAROT

Design by Z Design Team



It is designed to offer you comfort against the stress and fatigue of busy daily life.



FERA

Design by Z Design Team

Colorful and Compatible.



With various color combinations that can be used in the seat and back, Fera easily adapts to the working environment.



TAGIX

Design by Z Design Team



Available in two options as executive and operational, Tagix is ideal for workspaces where work hours are long and ergonomics is essential.



ETA

Design by Z Design Team



Eta is designed for people who desires the same level of comfort and style in the whole office space. With synchronous mechanism and height adjustable armrest, the Eta Family provides continuity in style in all the areas of the offices including lobbies, meeting rooms, executive offices and operation offices.



FACT SHEETS

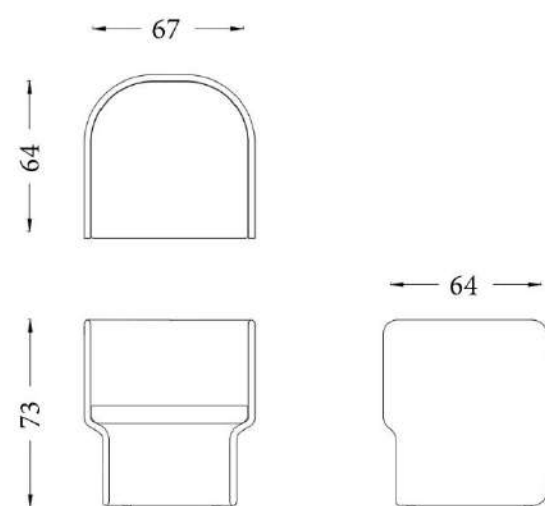
TOTEM ARMCHAIR



- * Over metal carcass polyurethane monobloc cast foam body & cushion.
- * Artificial leather - fabric options.



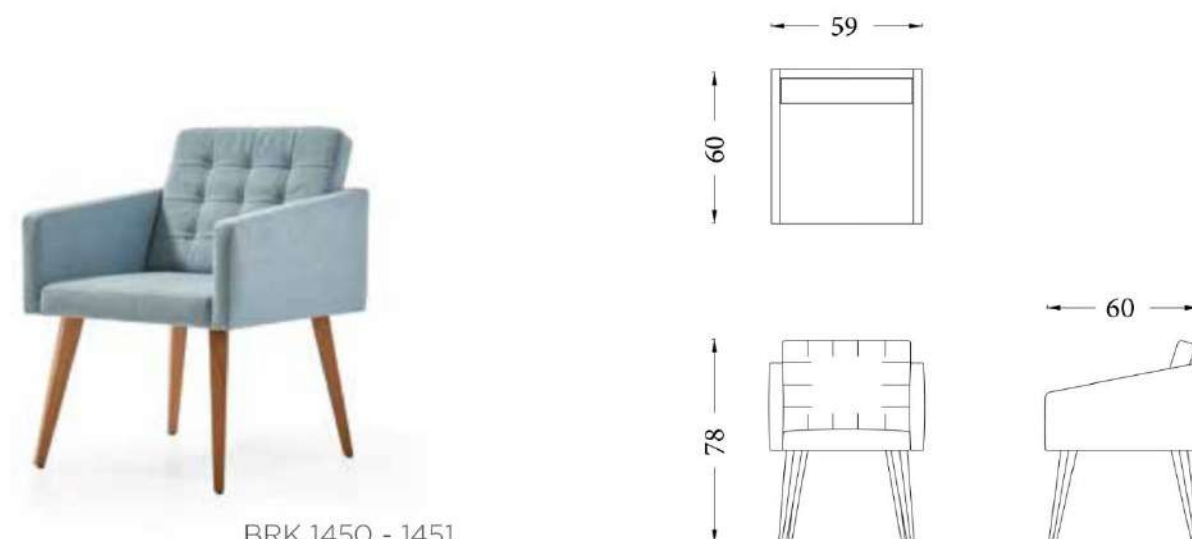
BRK 1650



ADA ARMCHAIR



- * Over metal carcass polyurethane monobloc cast foam body & cushion.
- * Polished OAK massive legs. (on the BRK1450)
- * Polished BEECH massive or lacquered paint wood leg (on the BRK1451 model)
- * Artificial leather - fabric options.



BRK 1450 - 1451

PAY CHAIR

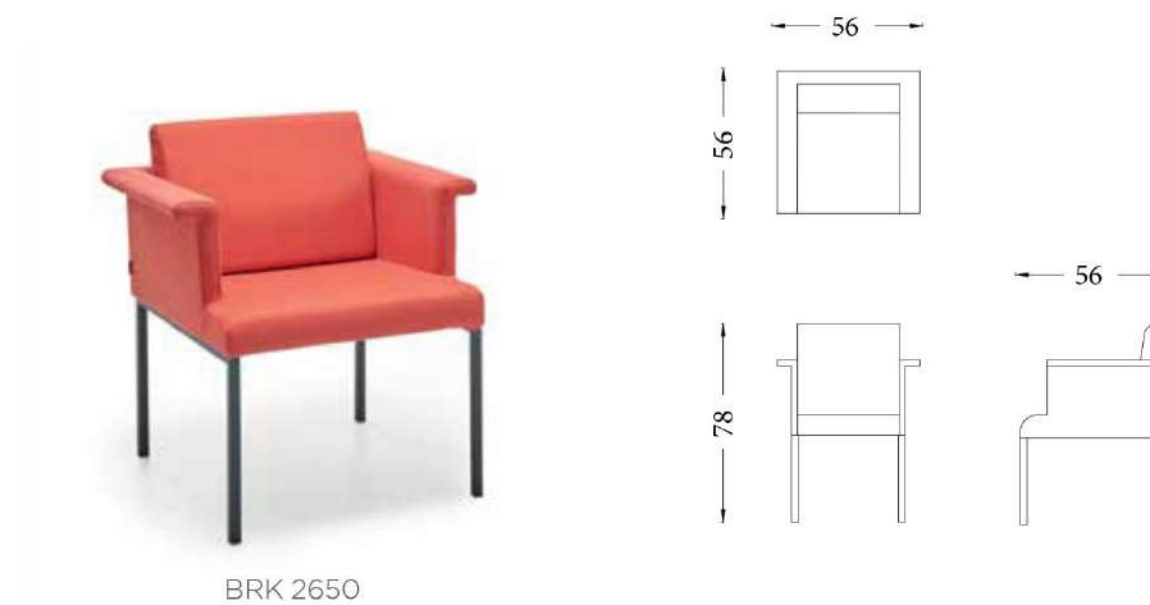
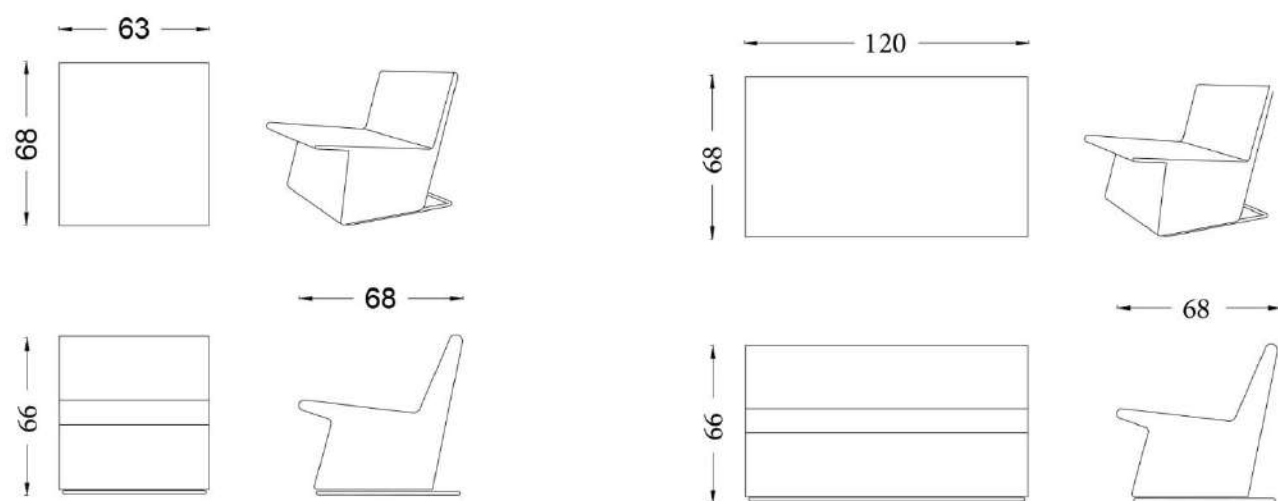


- * Beech massive skeleton.
- * Elektrostatic paint coating 17mm diameter cnc twist metal leg.
- * Back& seat 32DNS soft grey foam.
- * Artificial leather - fabric options.

TUR ARMCHAIR



- * Over metal carcass polyhuretane cast foam body&cushion.
- * Electrostatic paint or chrome coating metal profile leg.
- * Artificial leather - fabric options.



MOD CHAIR



- * Over metal carcass polyurethane monobloc cast foam body & cushion.
- * Electrostatic paint cnc cutting metal llama leg.
- * Polished beech massive leg. (On the Mod Vera models)
- * Artificial leather - fabric options.

MANTA CHAIR



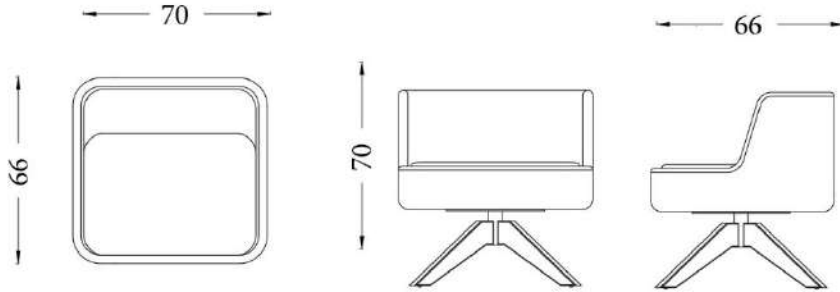
- * Over metal carcass polyurethane monobloc cast foam body.
- * Electrostatic paint cnc cutting base metal sheet.
- * Artificial leather - fabric options.



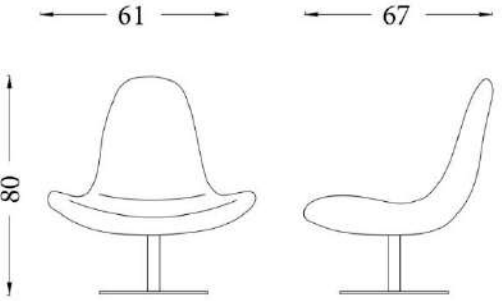
BRK 1252



BRK 1251



BRK 2750



NORD CHAIR

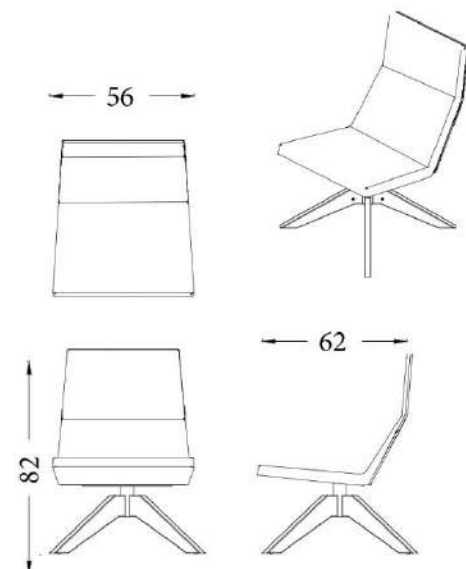


- * Over metal carcass polyhuretane monobloc cast foam body & cushion.
- * Elektrostatic paint cnc cutting metal llama leg.
- * Polished milling cutter oak veneered plywood paper back.
- * Polished beech massive leg, (On the Nord Vera models)
- * Artificial leather - fabric options.



BRK 1202

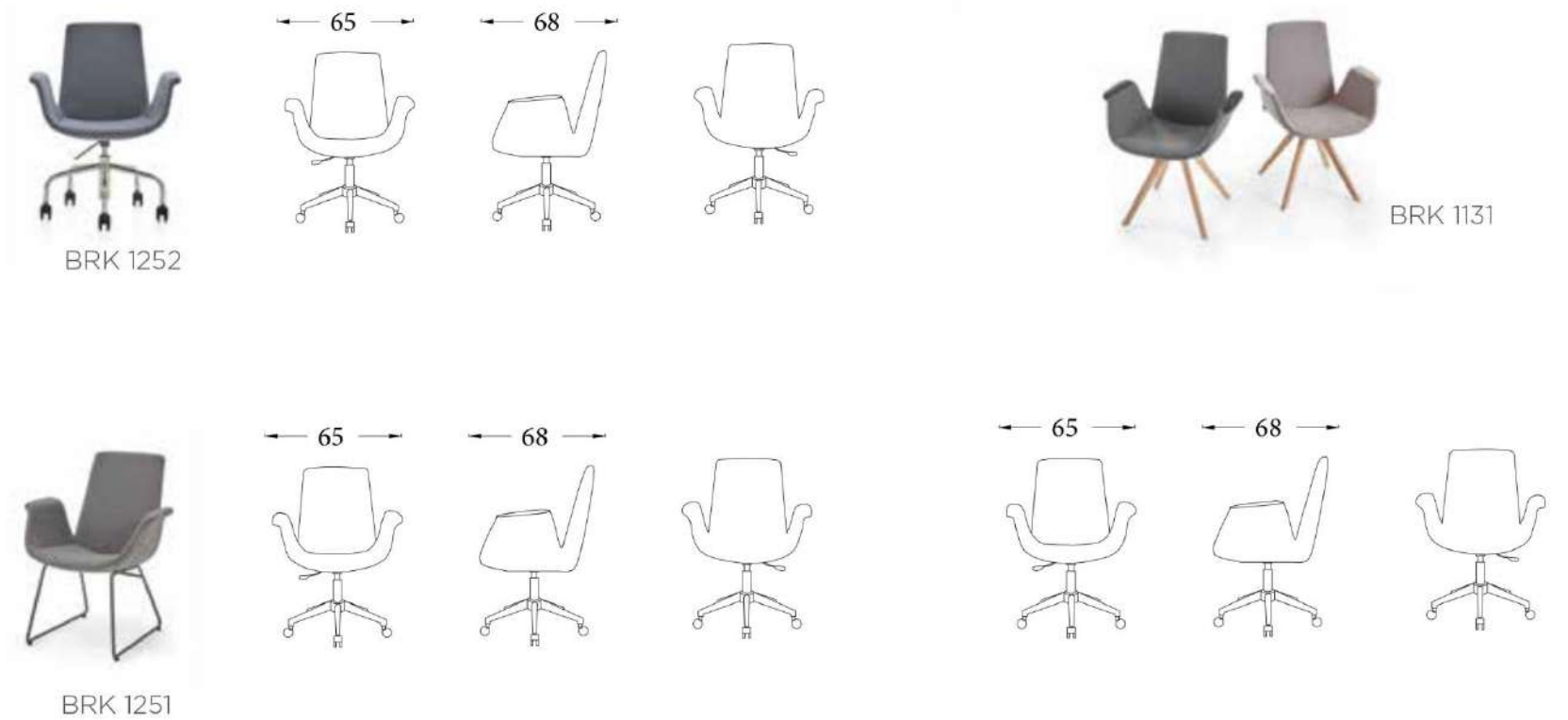
BRK 1201



MODY ARMCHAIR



- * Adjustable height chrome or static paint metal cnc twist with five leg.
- * 2 Position Tilt mechanism.
- * Artificial leather or fabric upholstery monobloc polyhuretane cast foam.



BRK 1252

BRK 1131

BRK 1251

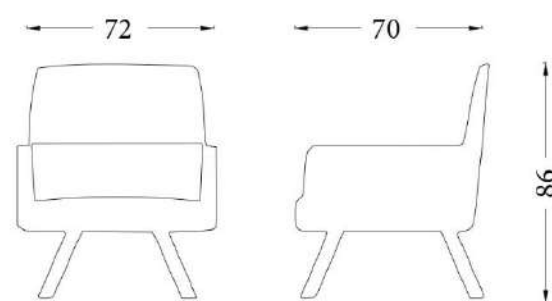
LISA ARMCHAIR



- * Cnc twist metal transmission skeleton.
- * 32DNS soft grey foam monoblock body with upholstery.
- * Feather foam upholstery back.
- * Polished beech massive leg.
- * Artificial leather - fabric options.



BYC 211



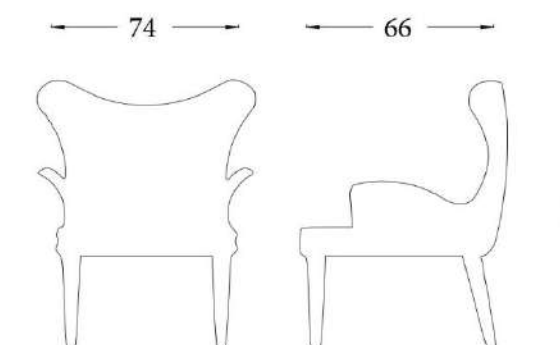
JOY ARMCHAIR



- * Over metal carcass polyhuretane monobloc cast foam body & cushion.
- * Elektrostatic paint cnc cutting metal llama leg.
- * Polished milling cutter oak venerated plywood paper back.
- * Polished beech massive leg. (On the Nord Vera models)
- * Artificial leather - fabric options.



BYC 190



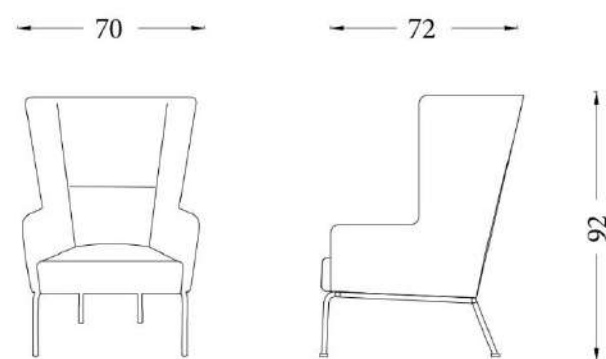
VENI-S ARMCHAIR



- * Interior construction beech massive.
- * electrostatic paint coating, diameter 25mm, 1,5mm thickness cnc twisted round pipe metal legs.
- * 32DNS soft gray seat and back foam.
- * 25 DNS soft feathered waist foam.
- * Artificial leather - fabric options.



BRK 2110



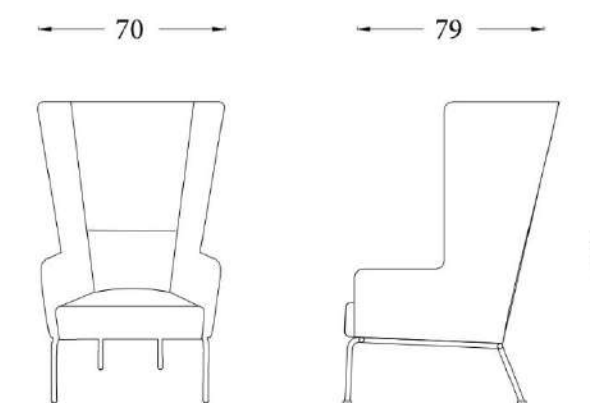
VENI ARMCHAIR



- * Interior construction beech massive.
- * electrostatic paint coating, Diameter 25mm, 1,5mm thickness cnc twisted round pipe metal legs.
- * 32DNS soft gray seat and back foam.
- * 25 DNS soft feathered waist foam.
- * Artificial leather - fabric options.



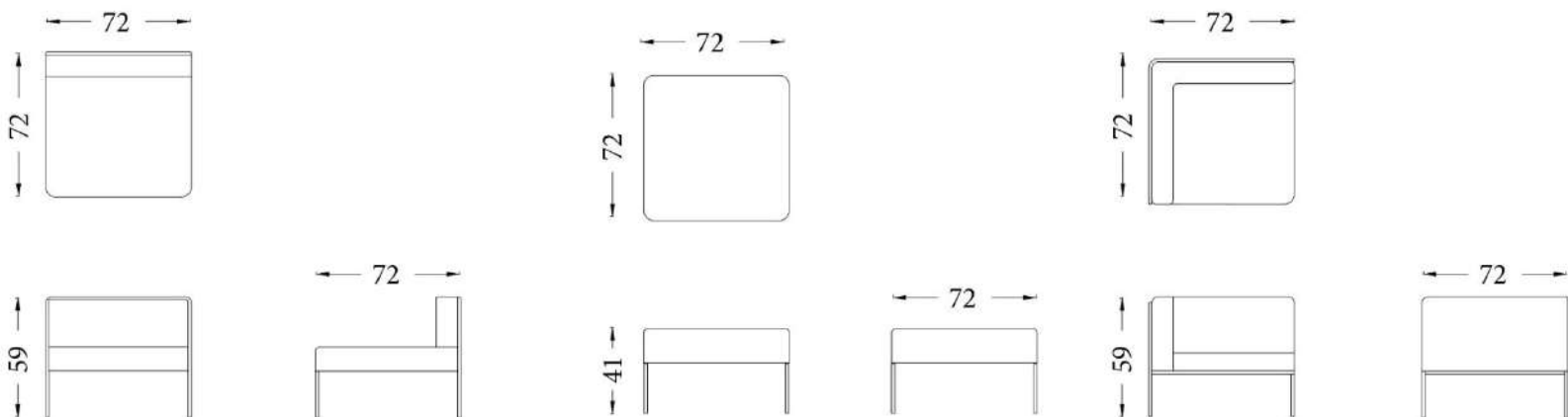
BRK 2120



MOLA SOFA



- * Polished milling cutter oak veneered plywood panel back.
- * Beech massive skeleton.
- * Elektrostatic paint coating 17mm diameter outside construction.
- * Back& seat 32DNS soft grey foam.
- * Artificial leather - fabric options.



BARI BENCH SOFA



- * Beech massive skeleton.
- * Polished beech massive turning machine wood legs.
- * Back& seat 32DNS soft grey foam.
- * Artificial leather - fabric options.



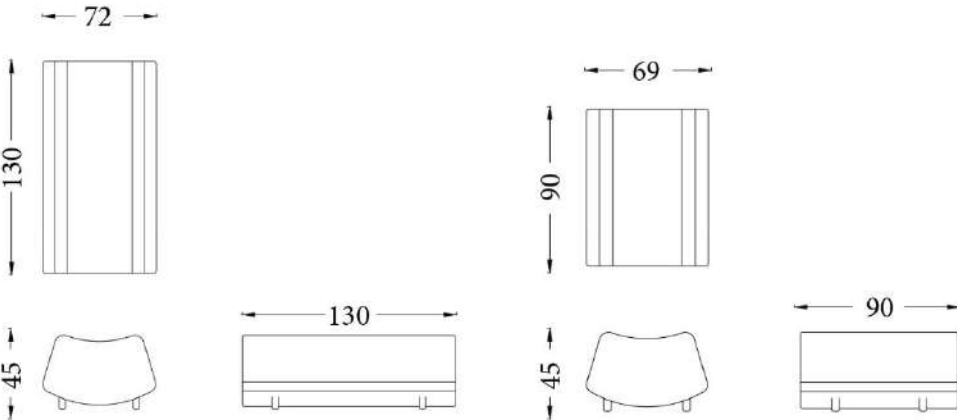
BRK 1402S



BRK 1404



BRK 1403



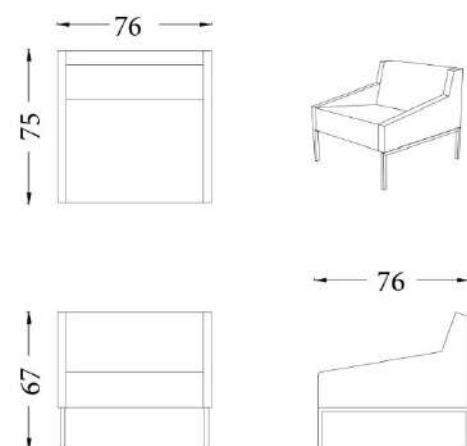
SALT SOFA & ARMCHAIR



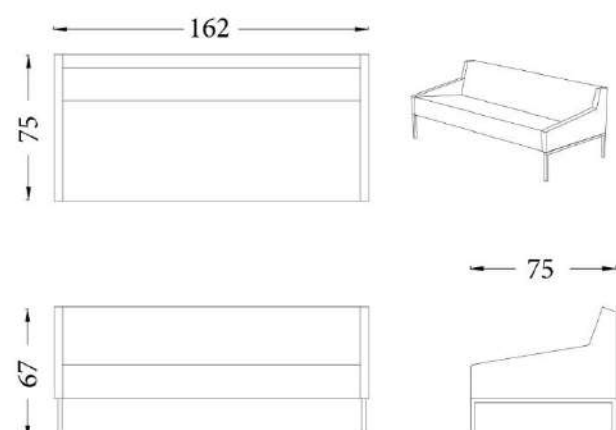
- * Beech massive skeleton.
- * Metal profile leg , elektrostatic paint or chrome coating.
- * Artificial leather - fabric options.



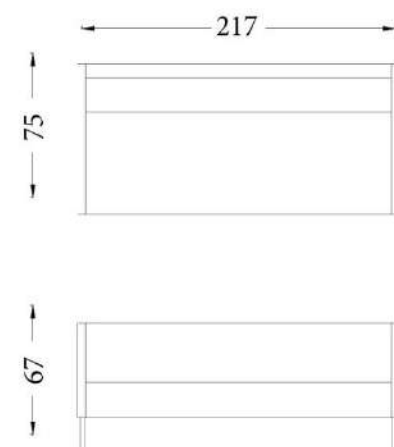
BRK 1501



BRK 1502



BRK 1503



TONE SOFA

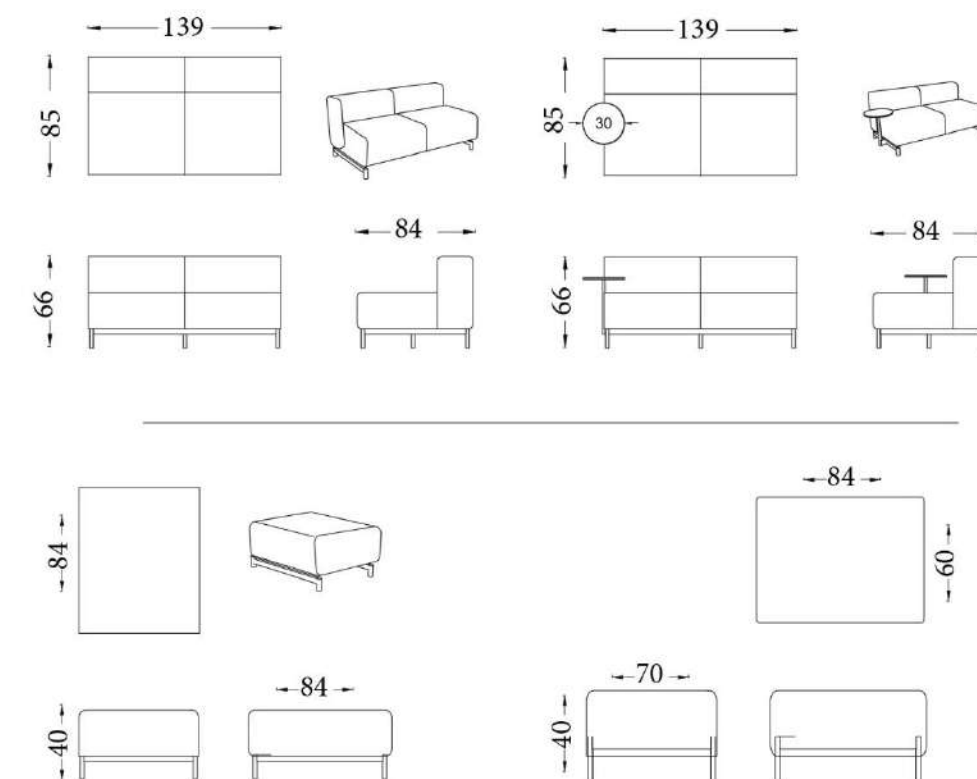


- * Beech massive skeleton.
- * 25mm dia meter round pipe elektrostatic paint coating metal leg.
- * Cnc cutting feather foam back.
- * 32DNS soft grey foam seat .
- * Polished milling cutter oak veneered side table.
- * Artificial leather -fabric options.



BRK 1603

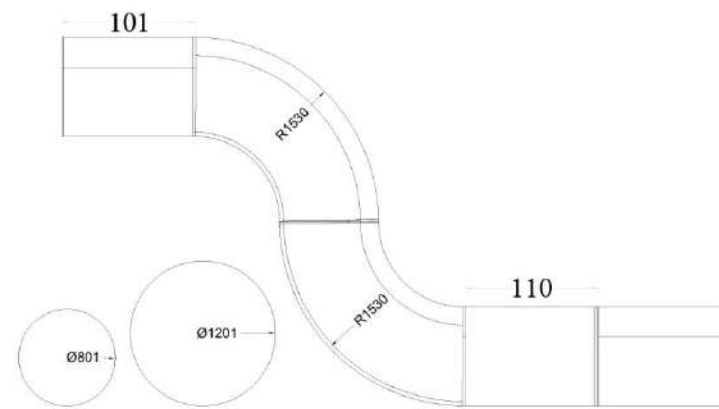
BRK 1601



STONE SOFA



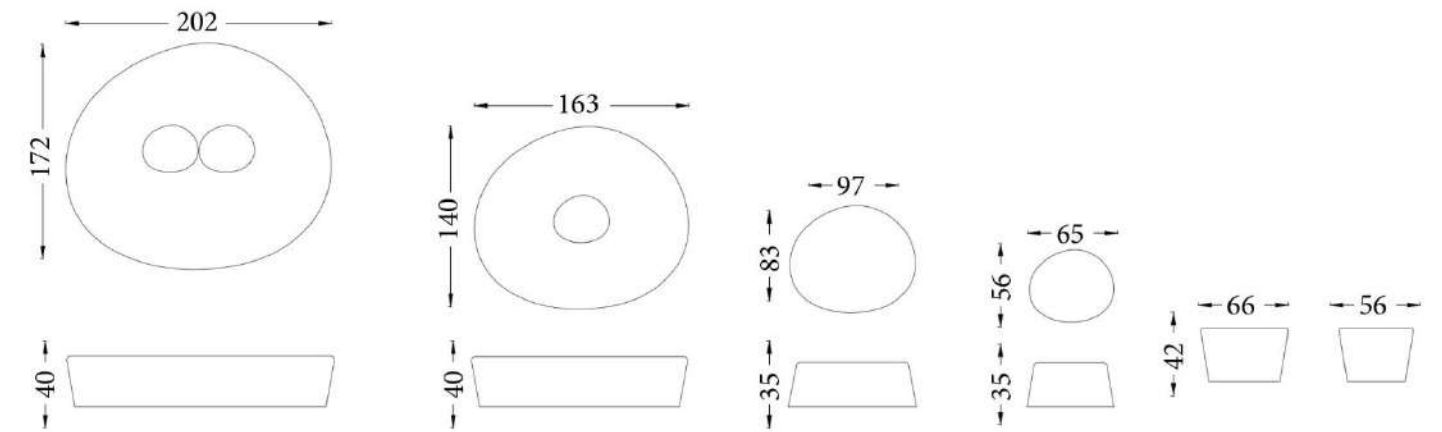
- * Beech massive skeleton.
- * 25mm diameter round pipe electrostatic paint coating metal leg.
- * Cnc cutting feather foam back.
- * 32DNS soft grey foam seat.
- * Artificial leather - fabric options.



ZEN BENCH



- * Beech massive & plywood skeleton.
- * 32DNS soft grey foam seat&back.
- * Adjustable metal bingo leg.
- * Artificial leather - fabric options.



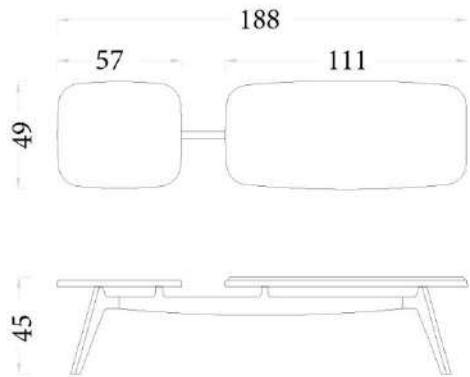
BEAM BANK



- * All wood parts oak massive.
- * 32DNS soft grey foam seat&back.
- * Artificial leather - fabric options.



BRK 2700



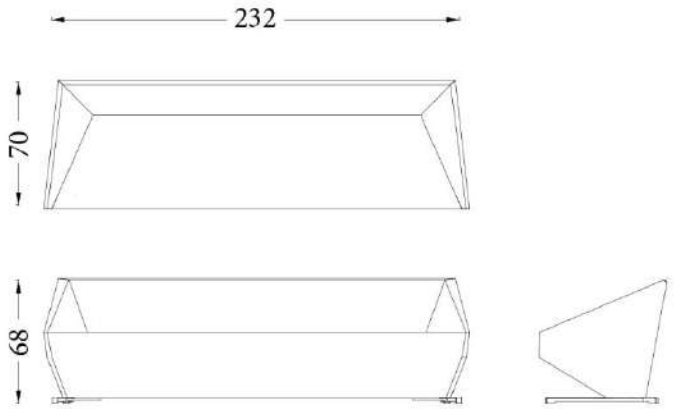
NEO SOFA



- * Beech massive skeleton.
- * Elektrostatic painted cnc cutting metal llama leg.
- * Back& seat 32DNS soft grey foam.
- * Artificial leather - fabric options.



BRK 2450



POZ SOFA



- * Beech massive skeleton.
- * Milling cutter oak veneered back wood.
- * Metal profile leg , elektrostatic paint or chrome coating.
- * Artificial leather - fabric - genuine leather options.

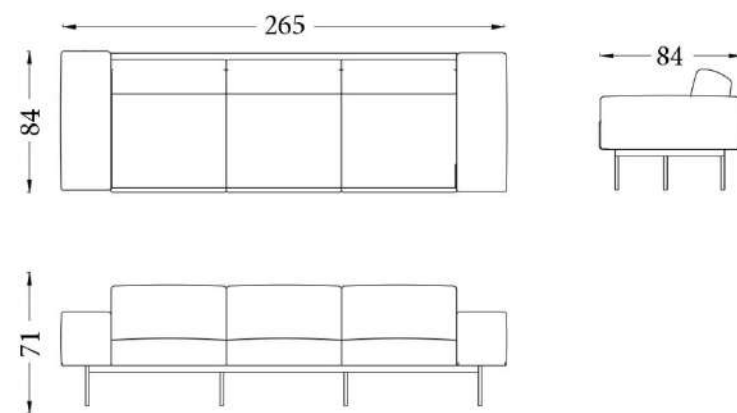
REN SOFA & ARMCHAIR



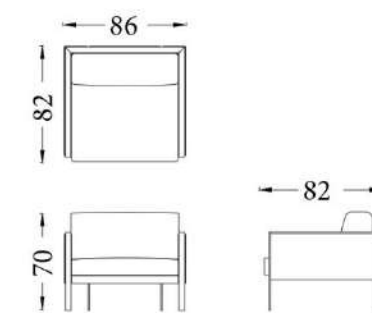
- * Metal construction.
- * Metal profile leg with Bronze coating.
- * Silicon back cushions.
- * Artificial leather - fabric - genuine leather options.



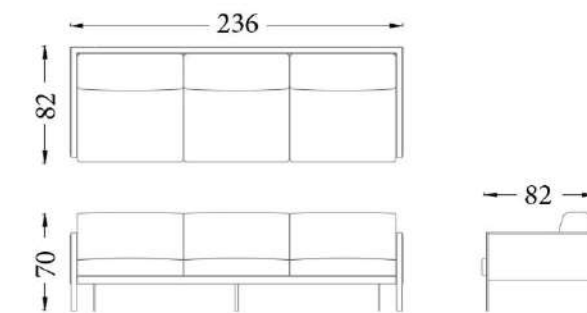
BRK 1053



BRK 1001M



BRK 1003M



KOZA SOFA



- * Interior construction beech massive.
- * Electrostatic paint or chrome plated diameter 22mm 1.5mm thick metal pipe legs.
- * Back and session 32DNS soft gray foam.
- * Artificial leather - fabric options.

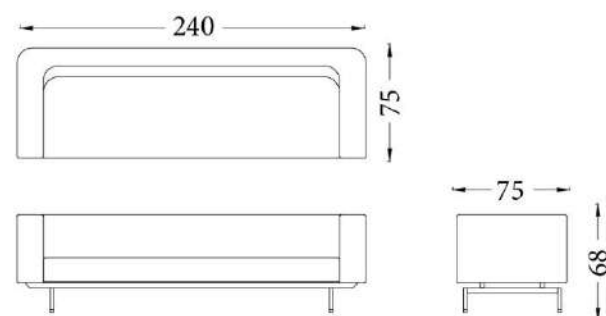
YAKA SOFA & ARMCHAIR



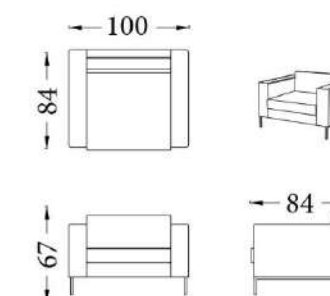
- * Beech massive skeleton.
- * Metal profile leg , elektrostatic paint or chrome coating.
- * Artificial leather -fabric options.
- * Feather foam & seat & cushions for back.



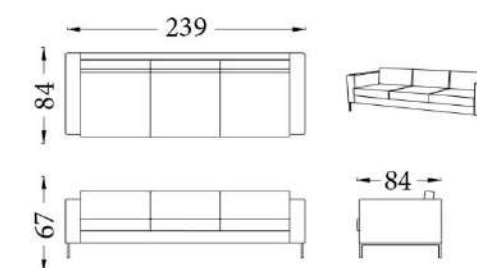
BRK 2053



BRK 1701



BRK 1703



PARK SOFA & ARMCHAIR



- * Cnc twist 22mm dia meter metal pipe inside construction.
- * 19*2mm cnc twist elektrostatic paint metal legs.
- * Silicon back cushions.
- * Back& seat 32DNS soft grey foam.
- * Artificial leather - fabric options.

PLAZA SOFA & ARMCHAIR



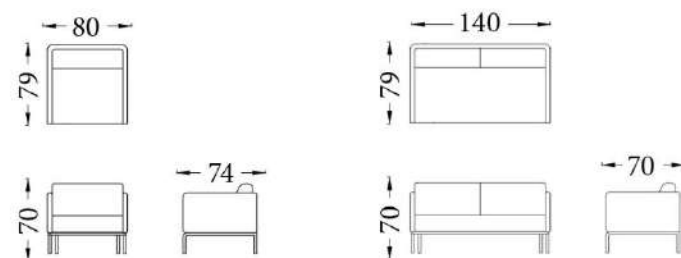
- * Beech massive skeleton
- * Elektrostatic paint or chrome coating metal llama legs
- * Back& seat 32DNS soft grey foam.
- * Artificial leather - fabric options.
- * 25cm diameter 8mm melamine demount side table.



BRK 1151



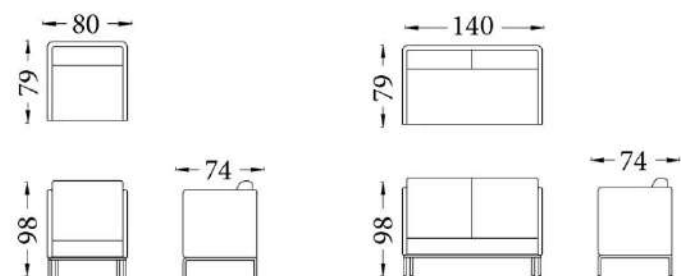
BRK 1152



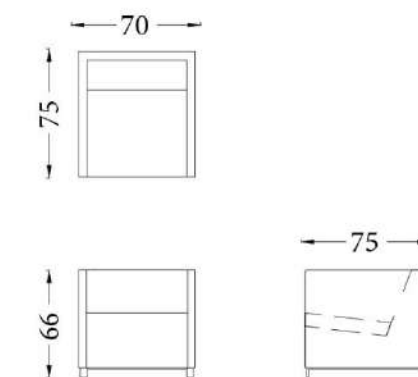
BRK 1153



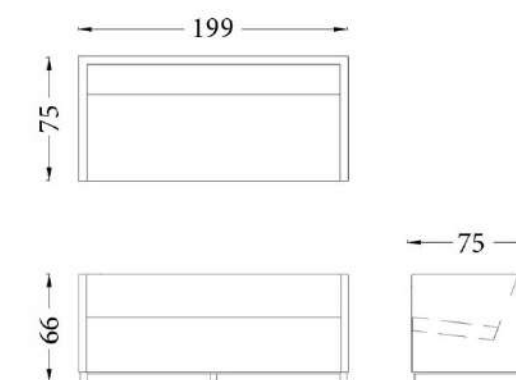
BRK 1154



BRK 2551



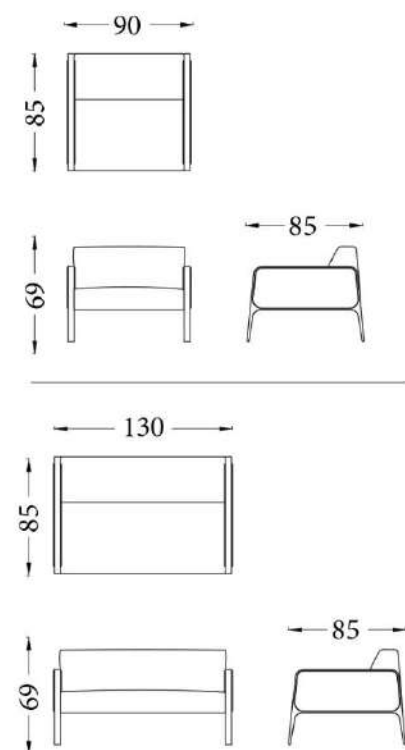
BRK 2552



KUZ SOFA



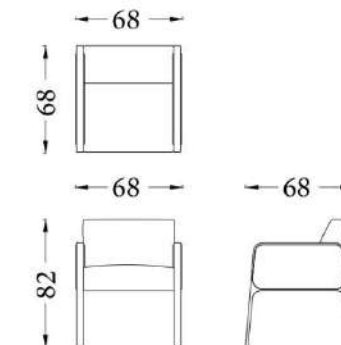
- * Beech massive skeleton.
- * Polished OAK massive arm & leg wood.
- * Feather cnc cutting foam cushions for back.
- * Back& seat 32DNS soft grey foam.
- * Artificial leather - fabric options.



KUZ-S ARMCHAIR



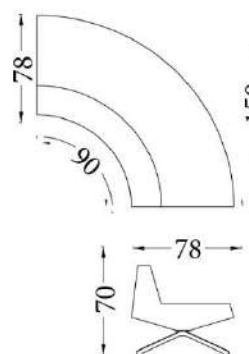
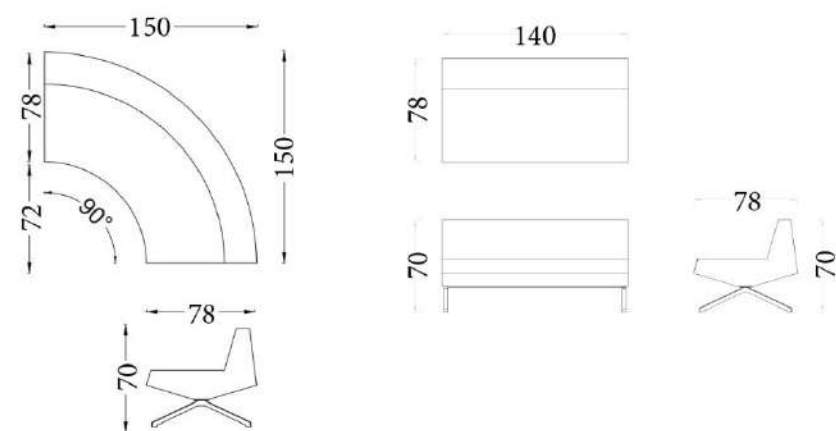
- * Beech massive skeleton.
- * Polished OAK massive arm & leg wood.
- * Feather cnc cutting foam cushions for back.
- * Back& seat 32DNS soft grey foam.
- * Artificial leather -fabric options.



THAMES SOFA



- * Beech massive skeleton.
- * Back& seat 32DNS soft grey foam.
- * Construction inside metal support llamas
- * Elektrostatic painted cnc cutting metal llama leg.
- * Artificial leather - fabric options.



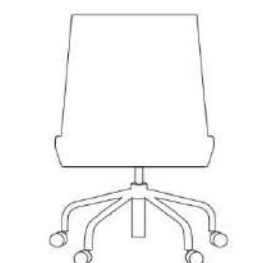
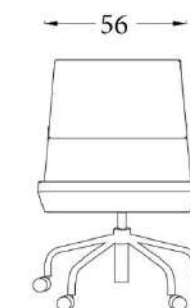
NORD CHAIR



- * Polished milling cutter oak veneered plywood paper back.
- * Adjustable height chrome or static paint metal cnc twist with five leg.
- * 2 Position Tilt mechanism.
- * Artificial leather or fabric upholstery monobloc polyhuretane cast foam.



BRK 1200



ESE CHAIR & ARMCHAIR



- * Height adjustable chrome or electrostatic painted metal star feet.
- * Single-lever tilt mechanism that provides up-down movement.
- * Chrome or electrostatic coating diameter 16mm thickness cnc twist pipe metal arms.
- * Plywood panel monoblock body with artificial leather or fabric upholstered.



BRK 341K



BRK 341



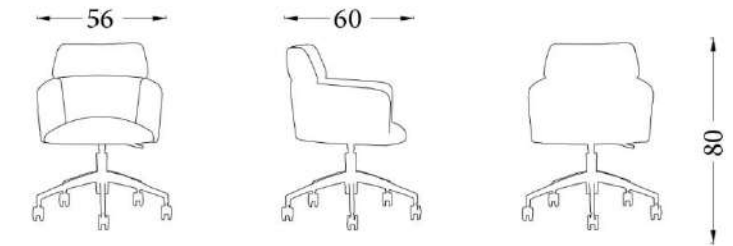
MAY ARMCHAIR



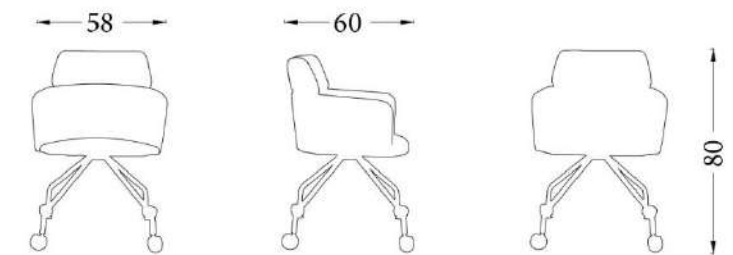
- * Electric paint coated or matt anodized aluminum injection star feet with height adjustment. (May study model)
- * Electrostatic painted metal four feet with plastic moving wheels. (May meeting model)
- * Single-arm Tilt mechanism that allows up-down movement.
- * Artificial leather or fabric upholstered metal carcass on cast polyurethane body and head.



BRK 290



BRK 293



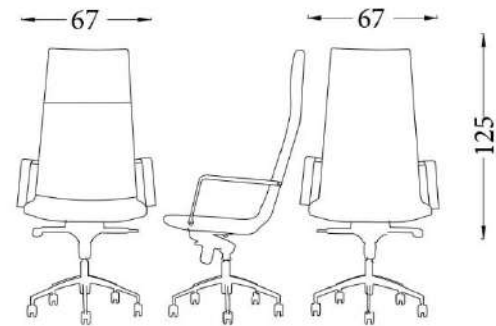
DELTA TASK CHAIR



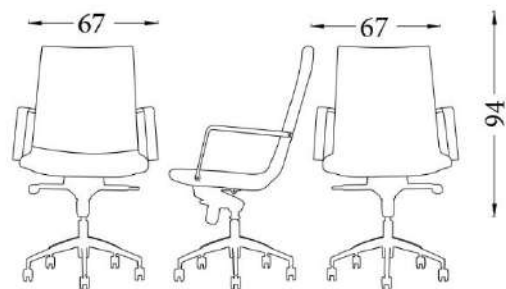
- * Height adjustable aluminum injection star foot.
- * Chrome plated U metal leg.
- * Swing mechanism. (In DATA GUEST model)
- * Fixed leg plastic bingo. (In DATA GUEST mode)
- * Aluminum fixed arm with upholstered padded or wood veneered pad.
- * Monoblock polyurethane cast sponge with artificial leather or fabric upholstery.



BRK 38020



BRK 38320



DELTA - K TASK CHAIR



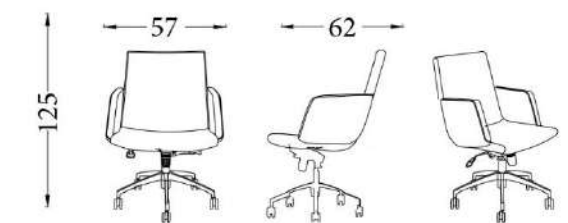
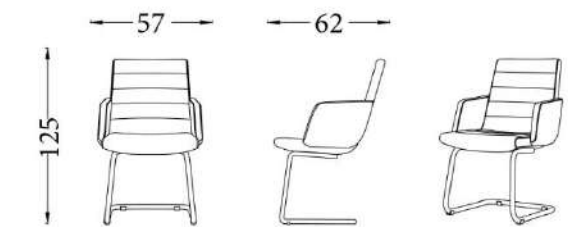
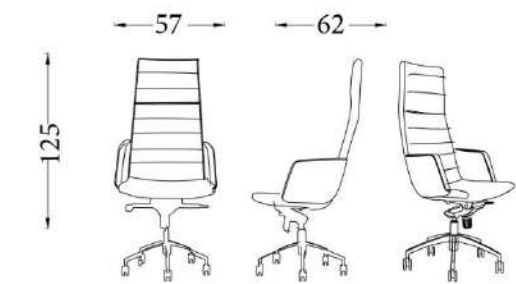
- * Monoblock polyurethane cast sponge body.
- * Polyurethane cast sponge fixed arm.
- * Chrome-plated U-metal leg.
- * Leather-Fabric Size: 1,8 M



BRK 38331

BRK 38031

BRK 38231



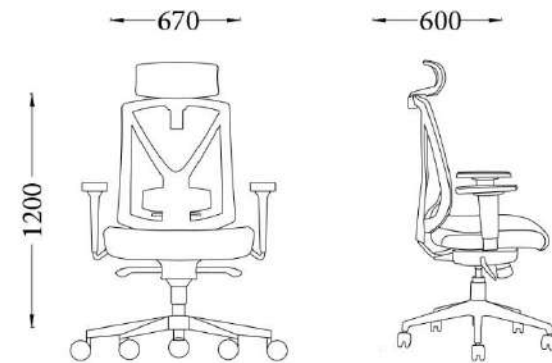
MIRA TASK CHAIR



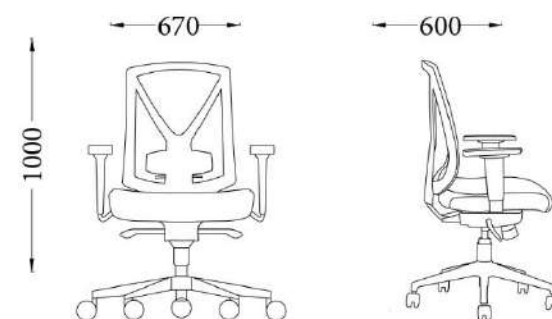
- * Adjustable head
- * Plastic injection back side with mesh fabric
- * Multitilt mechanism
- * Adjustable plastic arm to every side with PU Pad
- * Plastic star leg.
- * Fixed PP plastic arm.



BRK 23010



BRK 23110



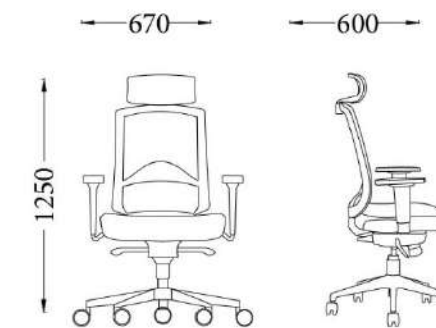
CAROT TASK CHAIR



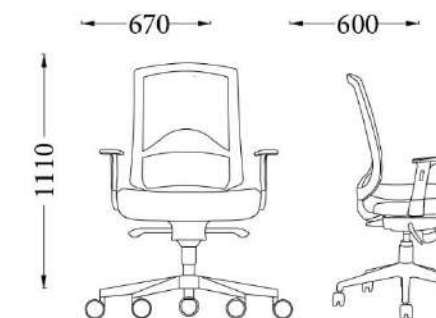
- * Height adjustable chrome or electrostatic painted metal star feet.
- * Single-lever tilt mechanism that provides up-down movement.
- * Chrome or electrostatic coating diameter 16mm thickness cnc twist pipe metal arms.
- * Plywood panel monoblock body with artificial leather or fabric upholstered.



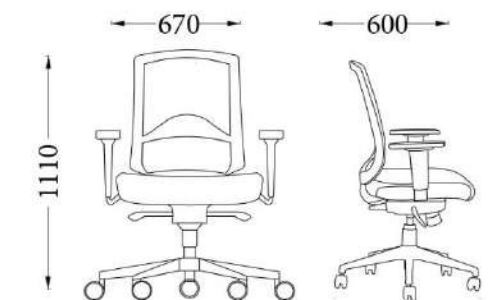
BRK 29010



BRK 29110



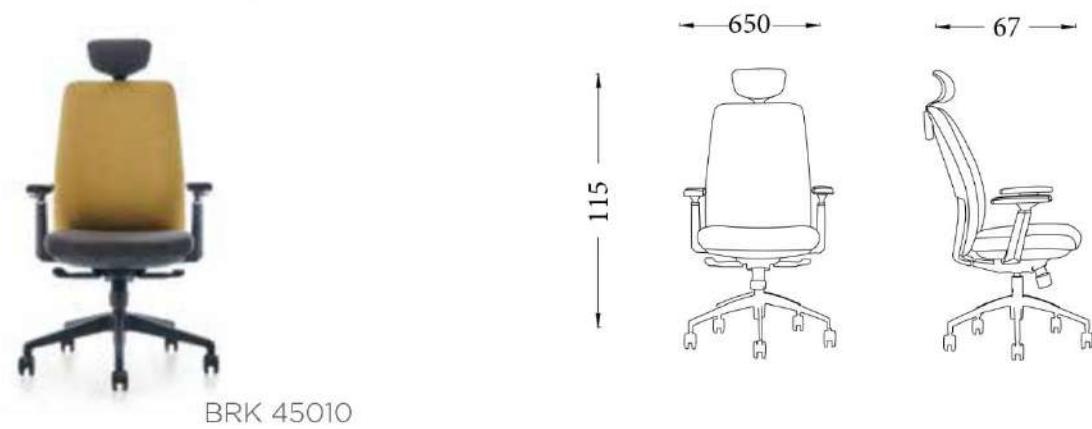
BRK 29110



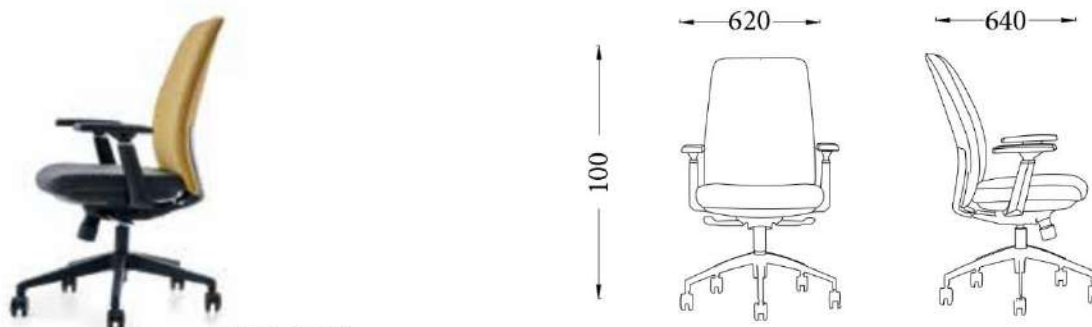
FERA TASK CHAIR



- * Adjustable head
- * Plastic injection back side with mesh fabric
- * Multitilt mechanism
- * Adjustable plastic arm to every side with PU Pad
- * Plastic star leg.
- * Fixed PP plastic arm.



BRK 45010

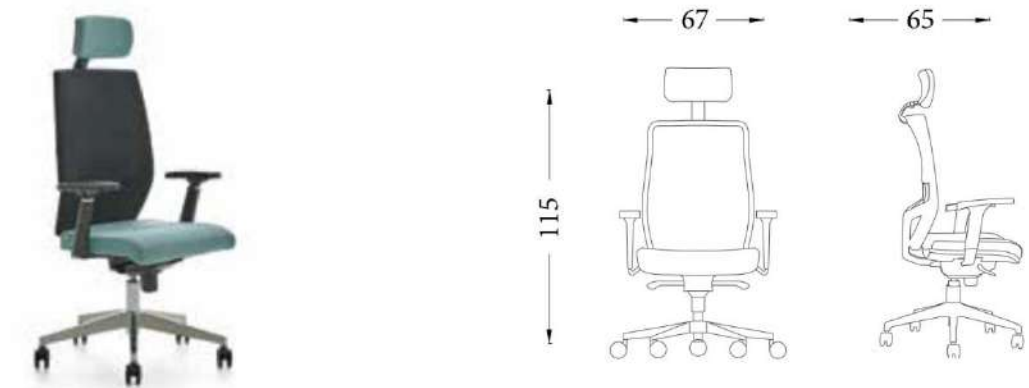


BRK 45110

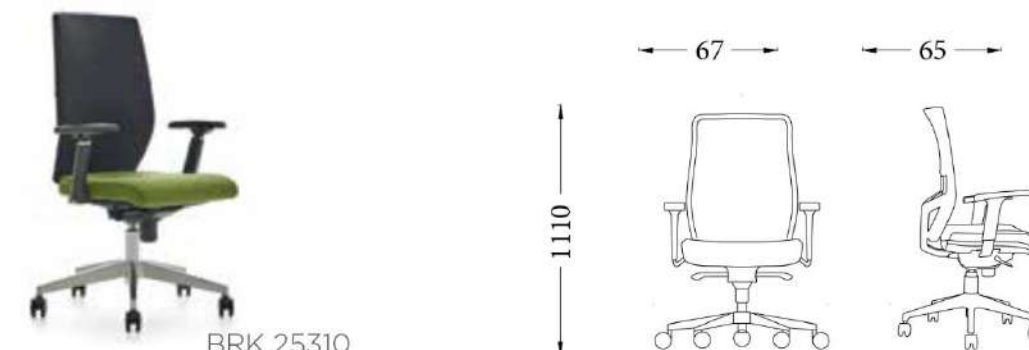
TAGIX TASK CHAIR



- * Adjustable head (Manager model)
- * Adjustable height plastic arm with PU pad.
- * Adjustable plastic star leg .
- * 3 Position lock Tilt mechanism
- * Plastic lumbar support



BRK 25010



BRK 25310

ETA TASK CHAIR



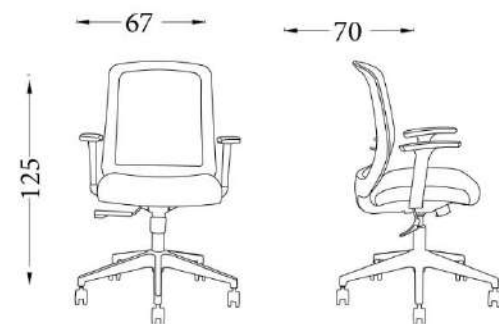
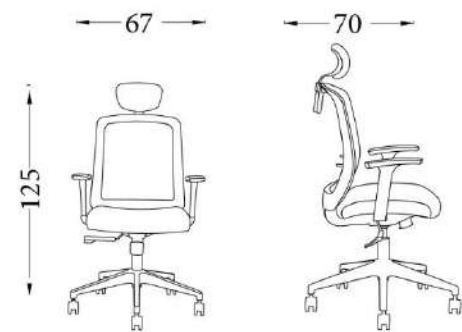
- * Adjustable head (Manager model)
- * Adjustable height plastic arm with PU pad.
- * Fixed PP plastic arm (on the fixed arm)
- * Adjustable plastic star leg .
- * 3 Position lock Tilt mechanism
- * Plastic lumbar support
- * Fixed PP plastic arm



BRK 32010



BRK 32210



MAYA ARMCHAIR

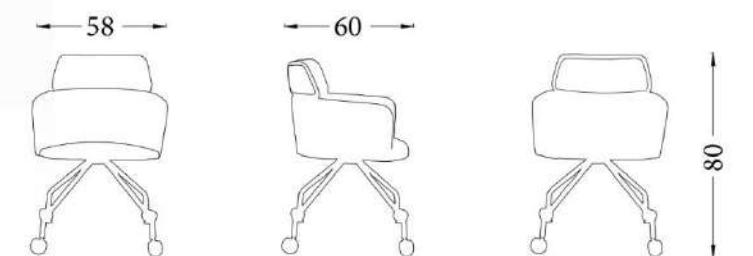
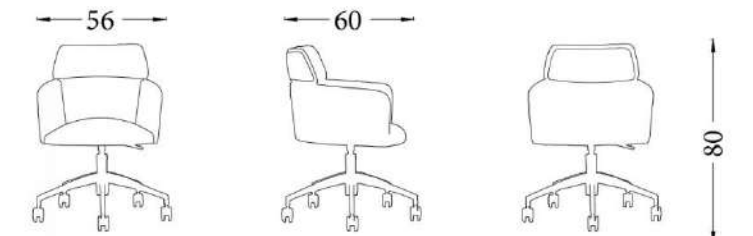


- * Electric paint coated or matt anodized aluminum injection star feet with height adjustment. (May study model)
- * Electrostatic painted metal four feet with plastic moving wheels. (May meeting model)
- * Single-arm Tilt mechanism that allows up-down movement
- * Artificial leather or fabric upholstered metal carcass on cast polyurethane body and head
- * Polished milling cutter oak veneered plywood panel head back.



BRK 290A

BRK 293A



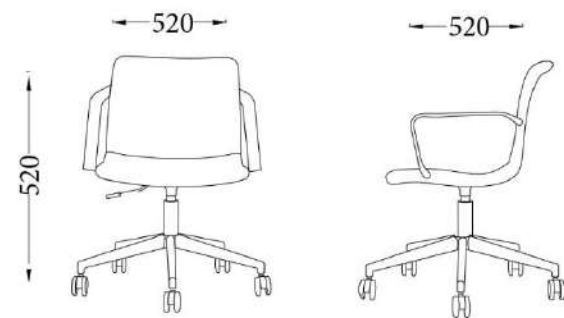
BEST CHAIR & ARMCHAIR



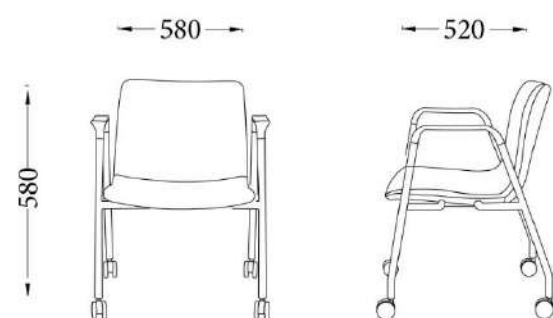
- * Height adjustable chrome or electrostatic painted metal star feet. (Best working model)
- * Single-lever tilt mechanism that provides up-down movement.
- * Electrostatic painted or chrome plated aluminum injection fixed arm. (Best working model)
- * Electrostatic painted diameter 28mm thickness cnc twist pipe wheel metal feet. (Best guest model)
- * PP plastic fixed arm integrated into metal skeleton. (Best guest model)
- * Electrostatic paint or chrome plating diameter 12mm thickness cnc twist transmission metal foot. (Best chair model)
- * Artificial leather or fabric upholstered polyurethane monoblock.



BRK 22322



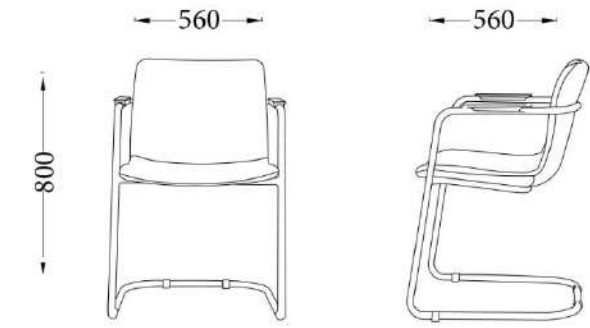
BRK 220



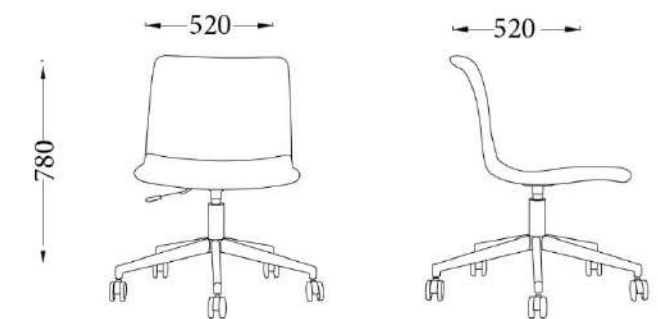
BEST CHAIR & ARMCHAIR



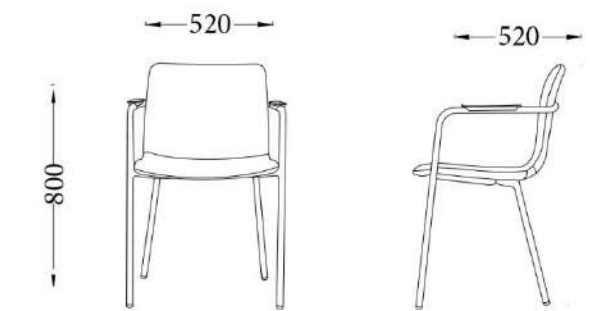
BRK 225



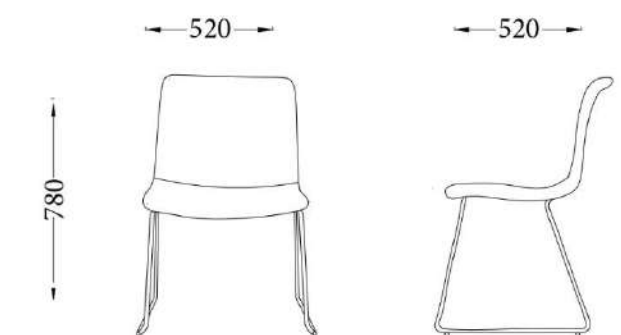
BRK 22320



BRK 224



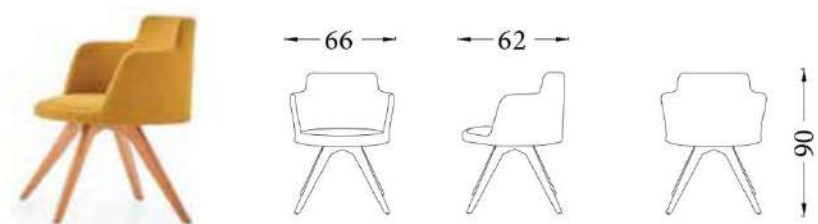
BRK 221



SAR ARMCHAIR



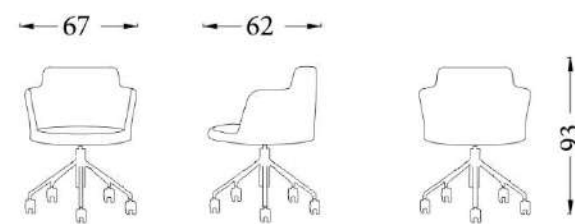
- * Adjustable height chrome or static paint metal 19 mm pipe with five leg. (Sar working model)
- * Single-arm Tilt mechanism that allows up-down movement. (Sar working model)
- * Electrostatic painted metal four feet with plastic moving wheels. (Sar meeting model)
- * Electrostatic painted metal four feet w/o wheels. (Sar waiting model)
- * Polished beech massive leg. (Sar waiting wooden leg model)
- * Artificial leather or fabric upholstered metal carcass on cast polyurethane body.



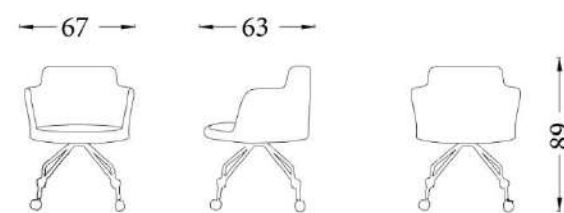
BRK 202



BRK 200



BRK 201



ORBIT CHAIR

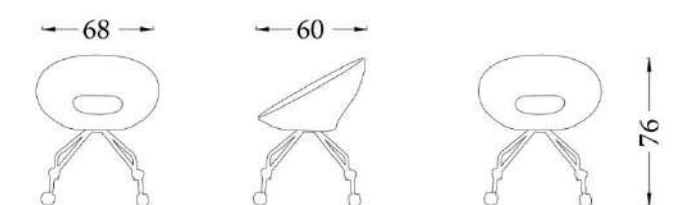
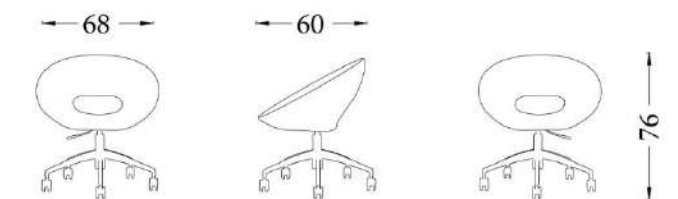


- * Electrostatic paint coated or matt anodized aluminum injection star feet with height adjustment. (Orbit study model)
- * Electrostatic painted metal four feet with plastic moving wheels. (Orbit meeting model)
- * Single-arm Tilt mechanism that allows up-down movement.
- * Artificial leather or fabric upholstered metal carcass on cast polyurethane body.



BRK 311

BRK 310



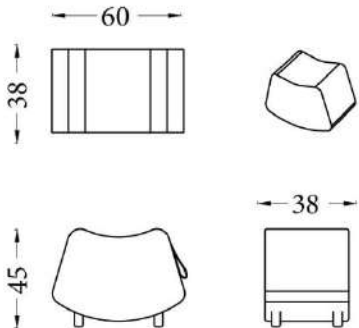
BARI



- * Over metal carcass polyurethane cast foam body.
- * Rotary plastic legs with wheels.
- * Artificial leather - fabric options.



BRK 1400



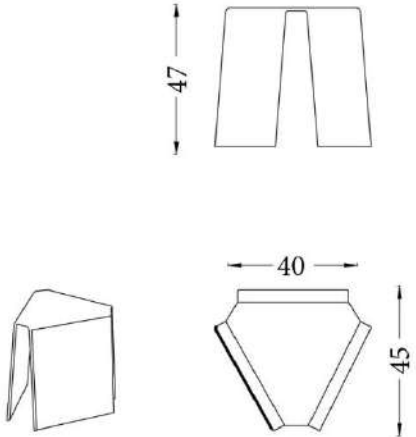
TOY



- * Over metal carcass polyurethane cast foam body.
- * Adjustable metal bingo leg.
- * Artificial leather - fabric options.



BRK 2150



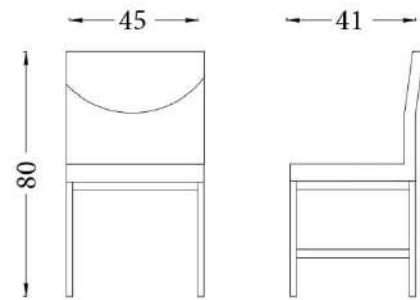
ROY CHAIR & STOOL



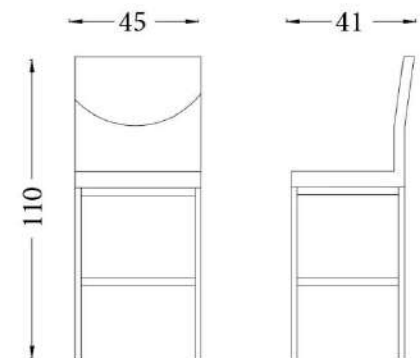
- * Over metal carcass polyurethane cast foam monoblock body.
- * Polished beech massive leg. (BYB200)
- * Elektrostatic paint or chrome coating metal profile leg.
- * Artificial leather - fabric options.



BYB 202



BYB 201



IKA STOOL



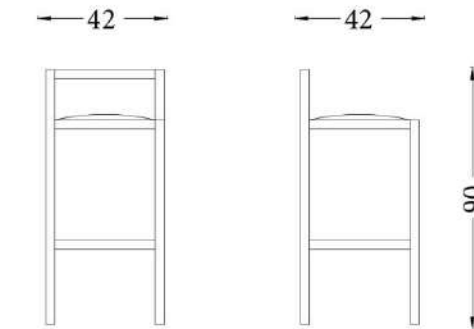
- * Polished oak massive wood skeleton.
- * Upholstery artificial leather or fabric over ply wood front.
- * Aluminum step metal.



BYB 210



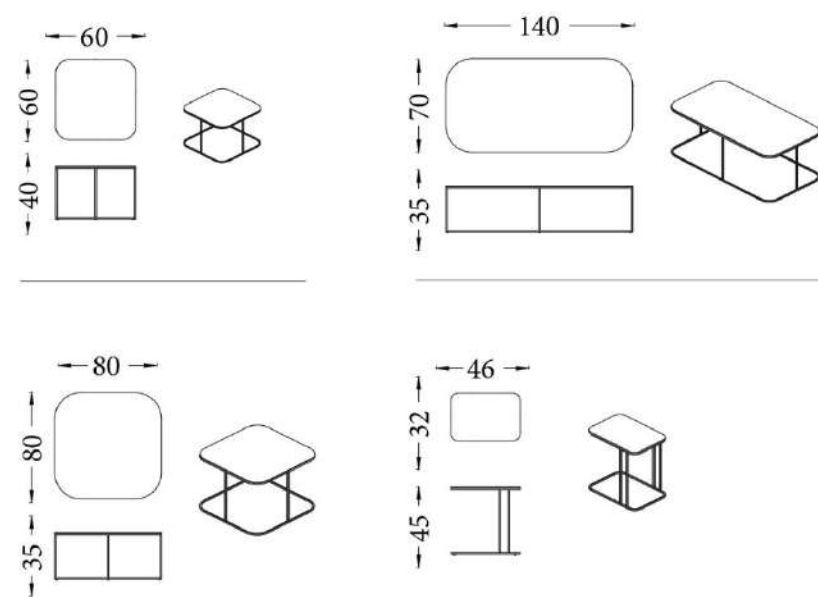
BYB 211



TIN COFFEE TABLE



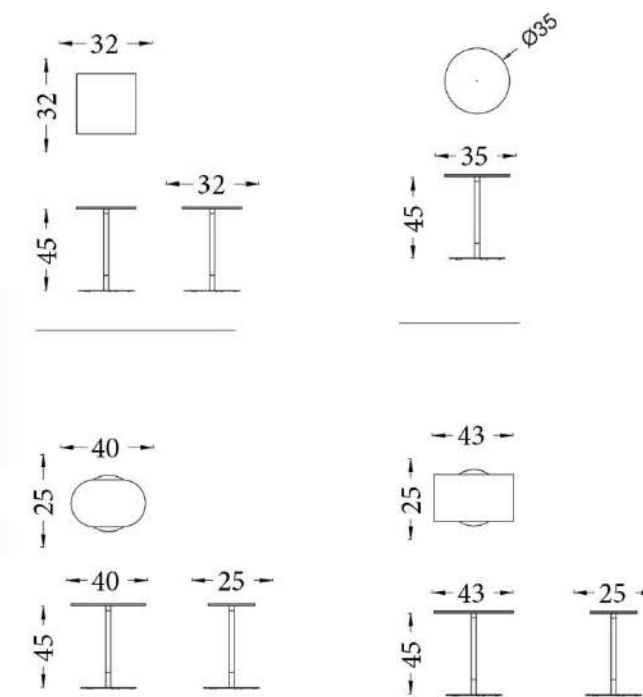
- * 8mm Melamine side table top.
- * Elektrostatic paint coating 10*10 cnc twist metal llama side table leg.



GITO COFFEE TABLE



- * Polished oak veneered side table top.
- * Elektrostatic paint coating 3mm dkp metal sheet leg.
- * Polished oak massive body of side table.

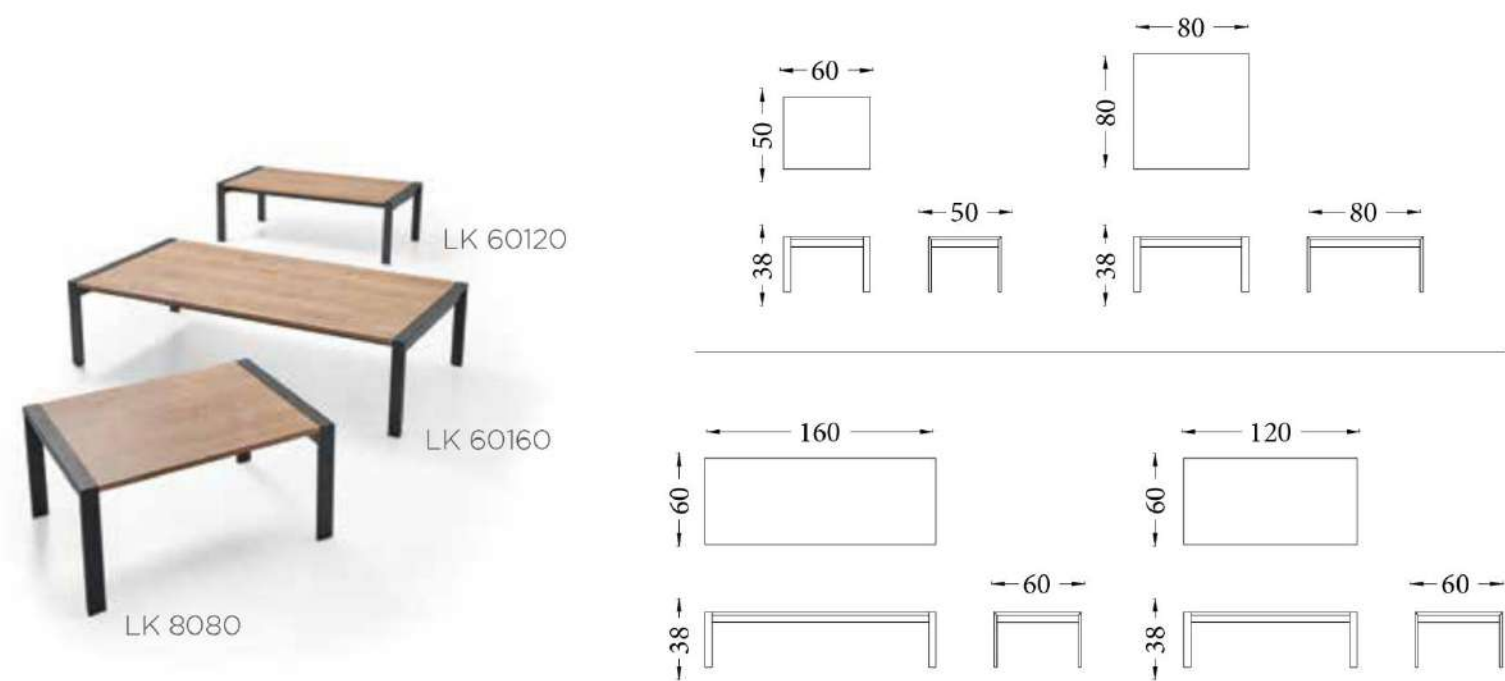


SGT 3232 - SGT 4025 - SGTQ35 - SGT 4325

LINK COFFEE TABLE



- * 18mm Polished wood veneer side table top.
- * 50*20mm elektrostatic painted metal profile leg of side table.



KULA COFFEE TABLE



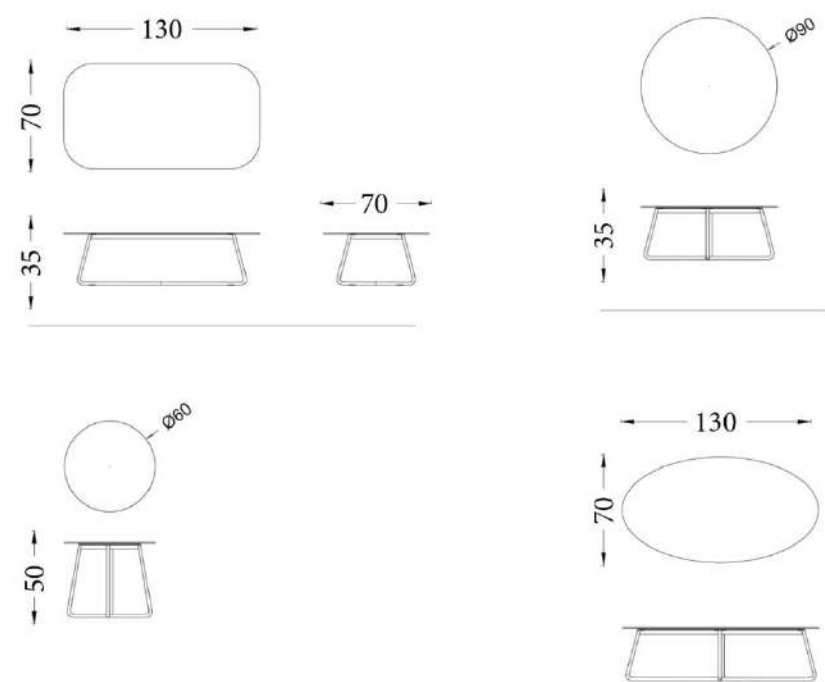
- * Polished wood veneer side table top.
- * Lacquered over Beech massive leg of side table.



SAL COFFEE TABLE



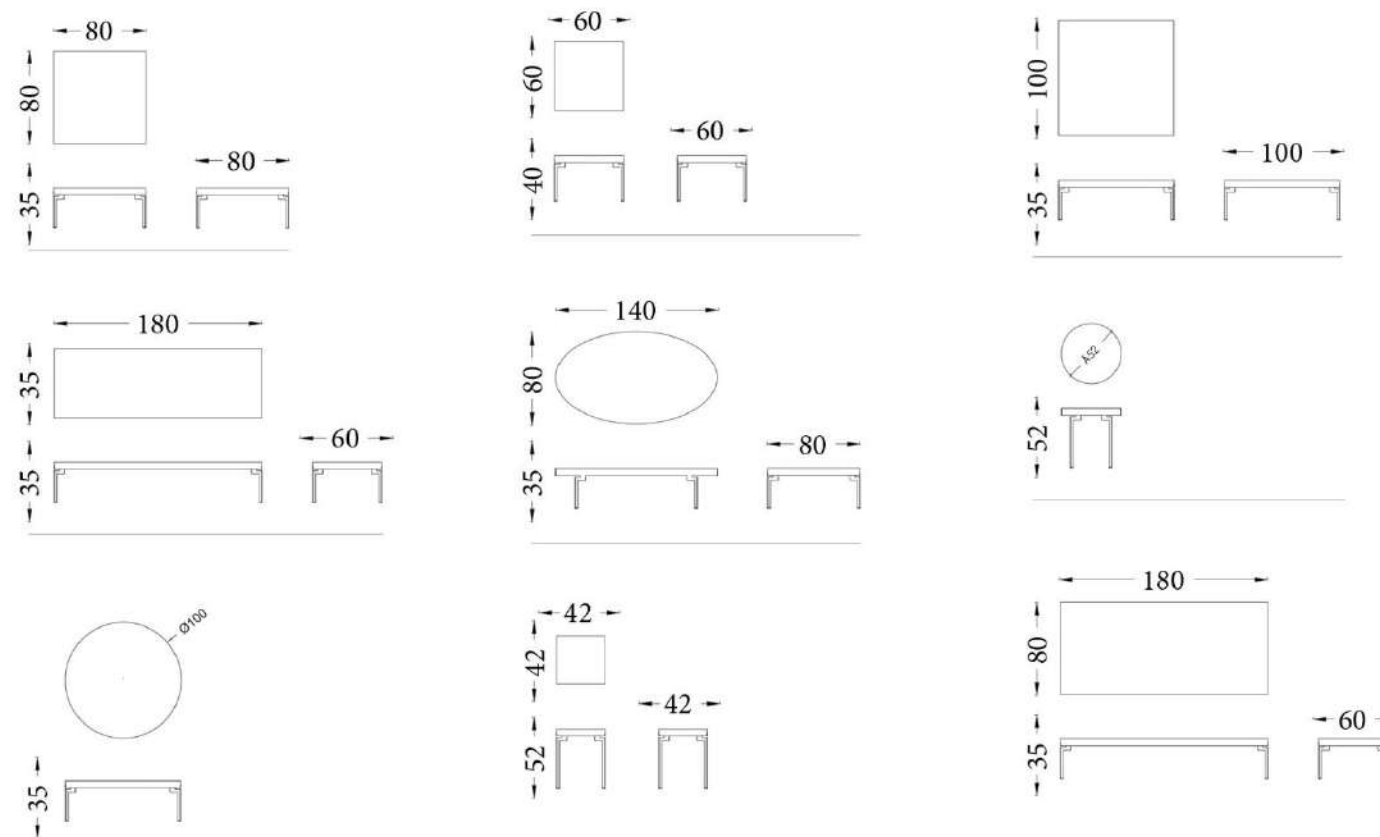
- * 8mm melamine side table top.
- * Elektrostatic paint or chrome coating Cnc twist 13mm diameter metal pipe side table legs.



TAV COFFEE TABLE



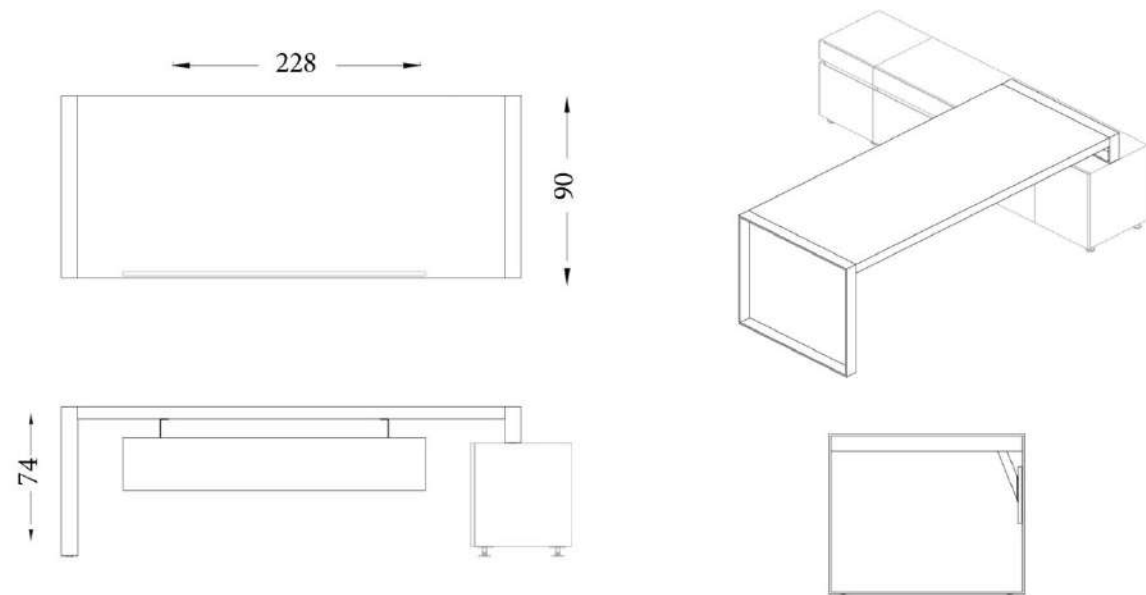
- * Polished wood veneer side table top.
- * Electrostatic paint or chrome coating 40*10mm metal profile leg of side table.



NORM EXECUTIVE DESK



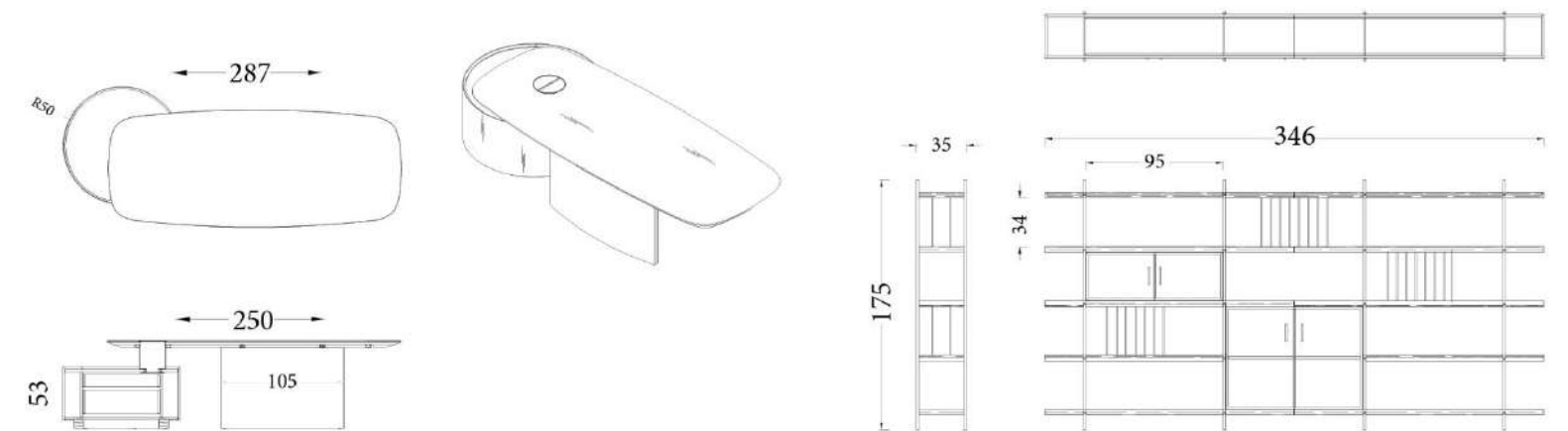
- * Wood veneer over Mdf table.
- * 80*10mm electrostatic painted metal llama table leg.
- * 40*40mm powder-coated metal profile table records.
- * Modesty Panel includes in the tables



PLAN EXECUTIVE DESK



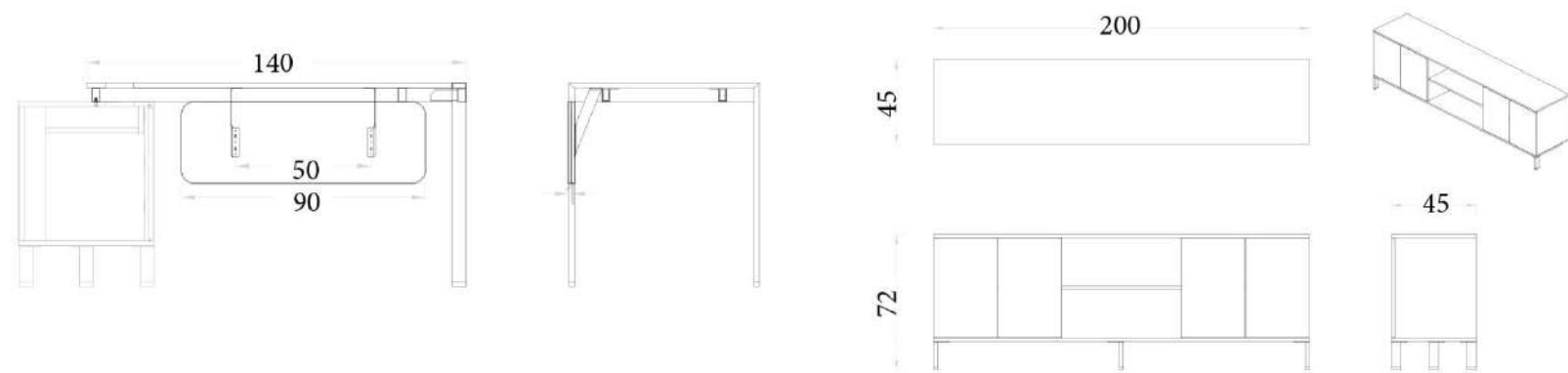
- * Wood veneer over Mdf table and caisson
- * Powder-coated ,front leg of table twisted DKP metal sheet , metal construction
- * Bookcase shelves wood veneer over Mdf
- * Library cabinets lacquered paint over Mdf.
- * 19 mm Q library Electrostatic painted metal construction
- * 6mm diameter powder-coated metal rack holder.



LINK EXECUTIVE DESK



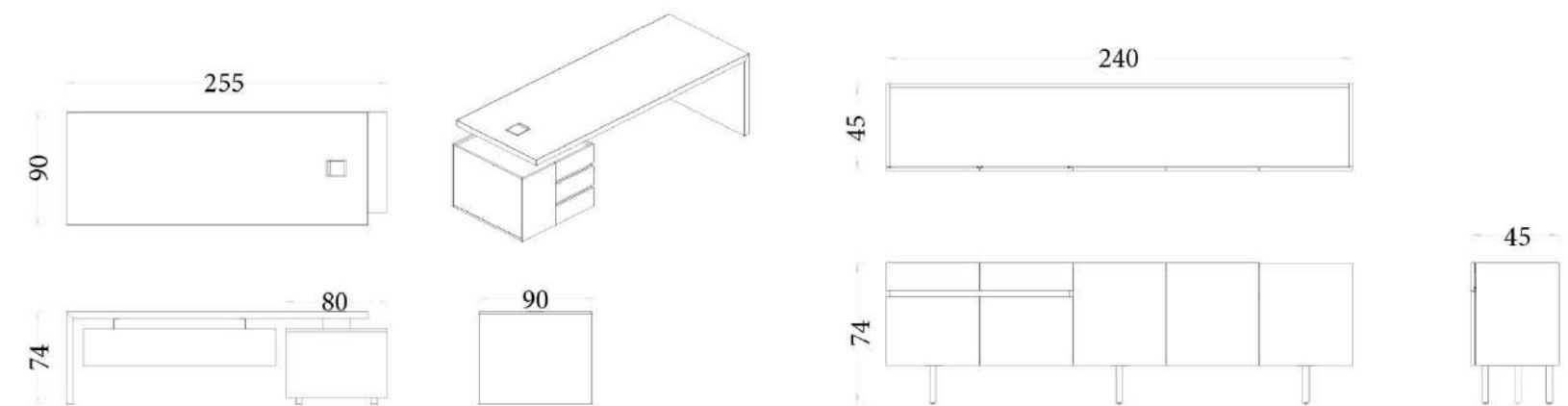
- * 8mm melamine side table top.
- * Elektrostatic paint or chrome coating Cnc twist 13mm diameter metal pipe side table legs.



FORMA EXECUTIVE DESK



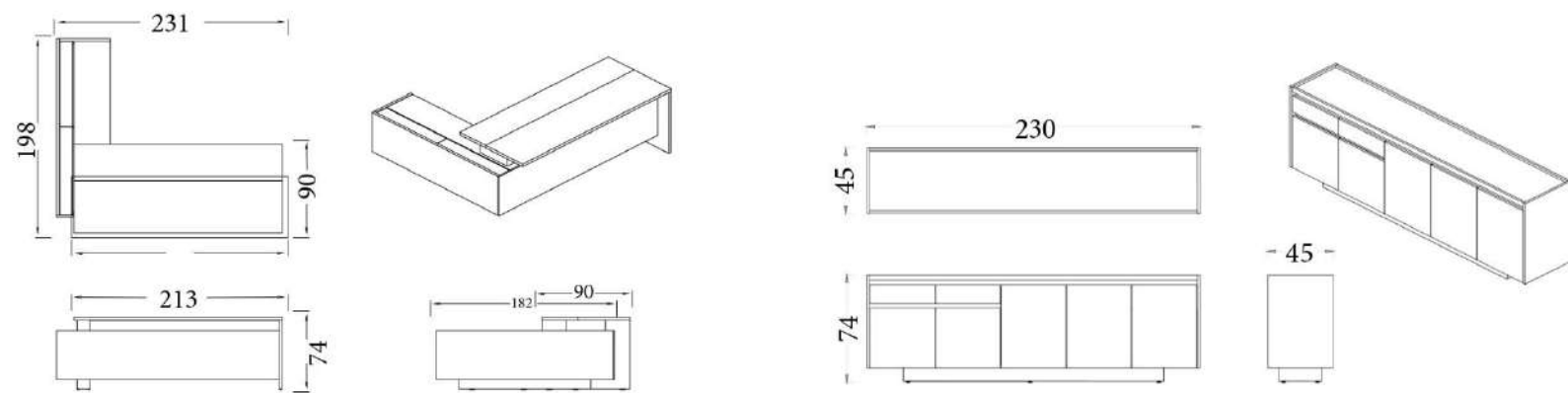
- * 18 mm melamine.
- * Used elektrostatic painted aluminium injection handle on the door & shelf of the etager
- * Used 5 cm plastic adjustable height leg of cabinet on the etager leg.
- * There are 3 pieces drawer, 2 pieces door, on the etager .
- * Rails of drawer 40mm telescopic rail.
- * Opened place for cable cover on the etager table top.



RIO EXECUTIVE DESK



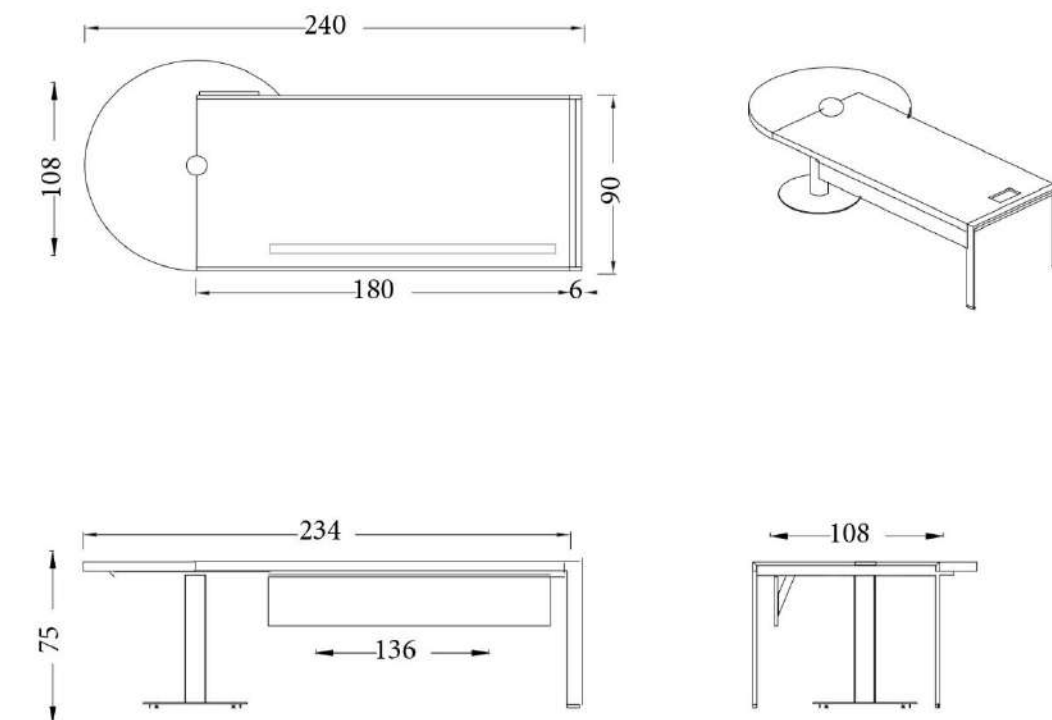
- * Table, etager & console all in melamine
- * Pad part of table covered by leather
- * Titus push-open mechanism system has been used on the console & etager doors
- * There are 2 pieces cable door with corner ring +C128a 87 cm on the etager
- * Drawer rails of etager 30mm teleskopik push-open rail



M-LINK EXECUTIVE DESK



- * Table, etager & console all in melamine
- * Pad part of table covered by leather
- * Titus push-open mechanism system has been used on the console & etager doors
- * There are 2 pieces cable door with corner ring +C128a 87 cm on the etager
- * Drawer rails of etager 30mm teleskopik push-open rail





FABRIC SELECTION

Fabric Selection - Era



* Composition; 100% Polyester, Non metallic dyestuffs

* Abrasion Resistance; Heavy duty / 10 year guarantee Independently certified to 100.000 Martindale cycles

* Flammability; EN 1021 - 1 (cigarette), EN 1021 - 2 (match) BS 7176 Low Hazard, EN 13501-1 Adhered Class B, s1, d0, EN 13501 - 1 Un- adhered Class C, s1, d0.

Fabric Selection - Xtreme



* Composition; 100% Recycled Flame Retardant Polyester

* Abrasion Resistance; 100.000 Martindale Cycles

* Flammability; BS EN 1021 - 1:2006 (cigarette), BS EN 1021 - 2:2006 (match), BS 7176:2007 Low Hazard, BS 7176:2007 Medium Hazard, BS 5852: 2006 Section 4 Ignition Source 5, DIN 4102 B1, NF D 60-031 : 2006, NF - P - 92 - 507 M1, UNI 8456 & 9174 Classe 1

Fabric Selection - X2



* Composition; 100% Recycled Flame Retardant Polyester
 * Abrasion Resistance; 100,000 Martindale Cycles
 * Flammability; BS EN 1021 - 1 2006 (cigarette), BS EN 1021 - 2 2006 (match), Ignition Source 5, DIN 4102 B1, NF D 60-013 : 2006, NF - P - 92 - 507 M1 UNI 8456 & UNI 9174 Classe 1

Fabric Selection - Yorkshire



* Composition; 100% Pes
 * Abrasion Resistance; 35,000 Martindale Cycles
 * Piling; EN ISO 12945- 2 4 - 5 Colour
 * Colour Fastness To Rubbing EN ISO -105 x 12

Fabric Selection - Mastiff



* Composition; 100% Pes
 * Abrasion Resistance; 25,000 Martindale Cycles
 * Color Fastness To light; 5
 * Piling Resistance; 4-5

Fabric Selection - Blazer



* Composition; 100% Virgin Wool
 * Abrasion Resistance; 50,000 Martindale Cycles
 * Flammability; BS EN 1021 - 1:2006 (cigarette), BS EN 1021 - 2:2006 (match)
 * BS 7176:2007 Low Hazard

Fabric Selection - Synergy



* Composition; 95% Virgin Wool, 5% Polyamide
 * Abrasion Resistance; 10 year guarantee Independently certified to 100,000 Martindale cycles
 * Flammability; EN 1021 - 1 (cigarette), EN 1021 - 2 (match),
 BS 7176 Low Hazard, BS 7176, NF D 60-031

Fabric Selection - Sinsole



* Composition; Polyurethane 2%, PolvinyI 29%, Polyester 19%.

* Abrasion Resistance; 22.000 Martindale Cycles

* Light Fastness; ISO 105B02 >4 BW

Solid Wood Coating



Lacquer



Metal



Melamine

